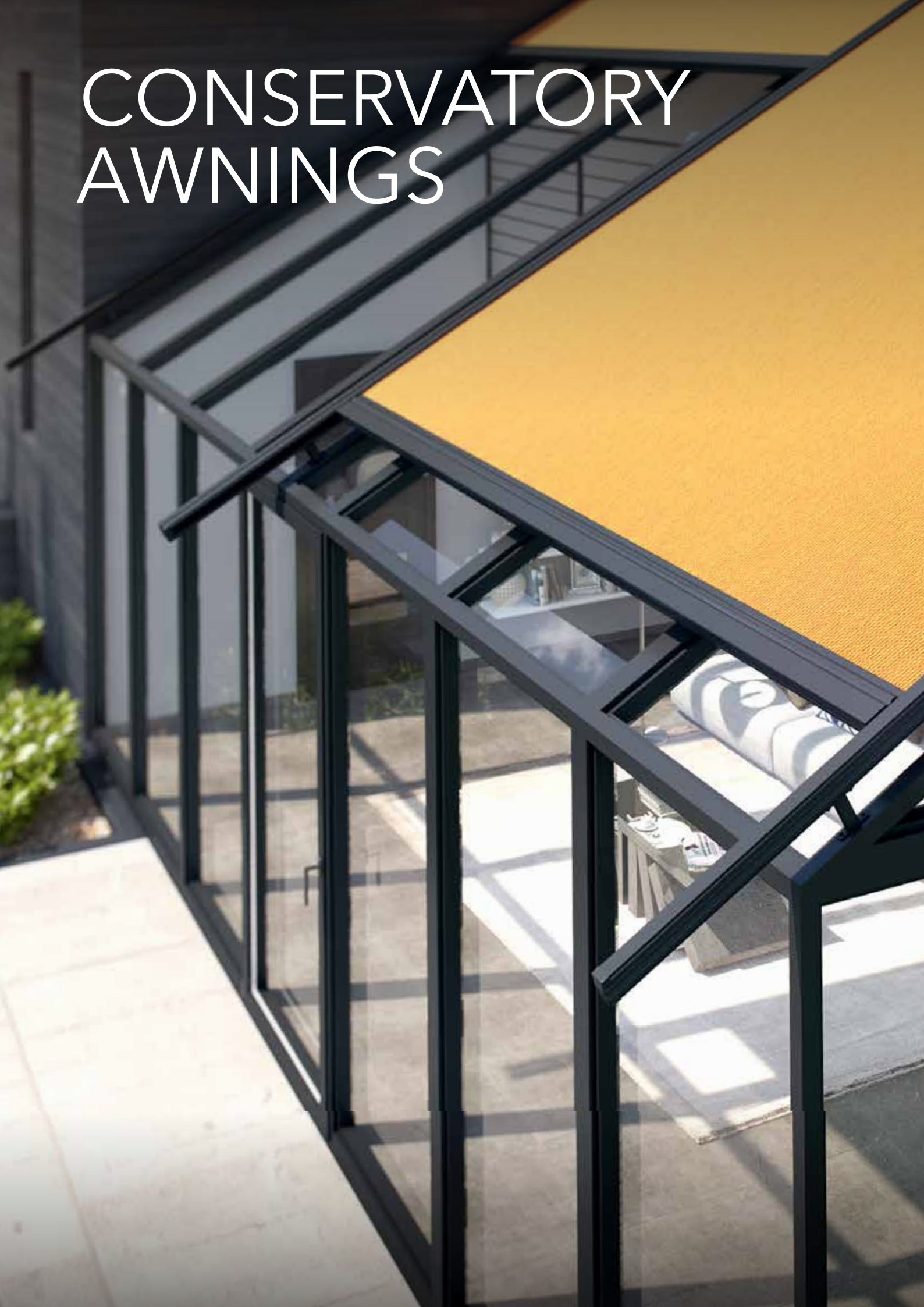

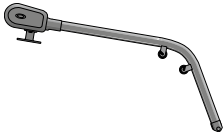
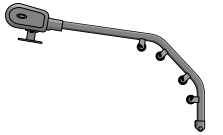







CONSERVATORY AWNINGS



MODEL OVERVIEW

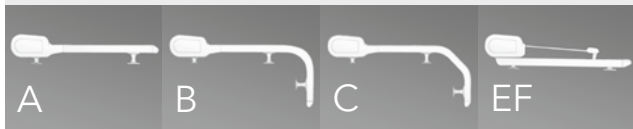
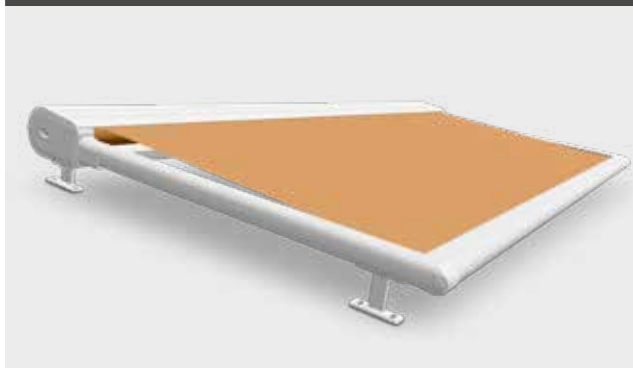
	CONSERVATORY AWNING 510 A	CONSERVATORY AWNING 510 B	CONSERVATORY AWNING 510 C	CONSERVATORY AWNING 510 EF
				
Minimum width (mm)	1000	1000	1000	1000
Maximum width (mm)	6500	6500	6500	6000
Max. width, double shaft (mm)	10000	10000	10000	-
Coupling	⊕	⊕	⊕	-
Maximum projection (mm)	6500	6300	6300	4500
Protruding guide rail, maximum (mm)	1200	1200	1200	1200
Recessed guide rail, maximum (mm)	-	-	-	800
Protective cover/cassette	X	X	X	X
Installation on roof construction	X	X	X	X
Installation under roof construction	-	-	-	-
Motorisation	X	X	X	X
Wireless controls	⊕	⊕	⊕	⊕
Special RAL colours	⊕	⊕	⊕	⊕

X = Standard ⊕ = Optional for an additional charge ⊖ = Optional for a reduced price - = Not available

CONSERVATORY AWNING 520	CONSERVATORY AWNING 540	UNDER-GLASS AWNING 525	UNDER-GLASS AWNING 545
			
1500	1870	1500	1870
5000	6000	6000	6000
-	-	-	-
-	-	-	-
6000	5000	6000	5000
1000	500	-	-
-	-	-	-
X	X	X	X
X	X	-	-
-	-	X	X
X	X	X	X
⊕	⊕	⊕	⊕
⊕	⊕	⊕	⊕

CONSERVATORY AWNING 510

Product description



Wind resistance class

Awning with wind resistance class 2 according to DIN EN 13561

Cassette

Oval-shaped cassette measuring 290 x 162 mm, consisting of two extruded aluminium profiles, with the top one serving as an inspection cover. The cast aluminium end caps for the cassette also contain the shaft bearings at the same time.

Guide rails

Slightly rounded, designed as a multi-chamber aluminium profile with clamping channel (60 x 63 mm).

Fabric shaft

Made of galvanised steel, round tube with a diameter of 80 mm and a wall thickness of 2 mm, located inside the cassette - along with the spring systems, belt discs, end pins and drive bearings - for protection. The awning fabric is attached to the shaft by means of Velcro, which makes it really easy to replace the fabric.

Projection profile

Sturdy, oval aluminium profile (110 x 60 mm) with a groove for attaching the fabric. The front pulleys are made of high-quality polyamide and there is also a stopper. Together, these ensure that the projection profile runs extremely quietly.

Belt webbing

Made of highly tear-resistant polyester/aramid, extremely wear-resistant, weather-proof and resistant to UV rays. Two compensating spring elements ensure that the tension of the fabric remains correct in any extended position.

Guide tube

The fabric must be stabilised by wire rope in the case of straight guide rails and a projection of 3501 mm or more. Optional guide tubes available. In the case of curved guide rails, a guide tube must be used if the projection is 2501 mm or more (A1) and please note that this is subject to a surcharge.

Installation

Various aluminium brackets for cassette and guide rail fastening suitable for any installation situation; standard cast brackets for the cassette (height 77 mm) and for guide rails (height 110 mm).

No cast brackets are used in the case of models B and C.

Drive

Motor included in the price.

Optionally available with io wireless motor and remote control (for an additional charge).

Material and finish

All connecting parts made of non-corroding stainless steel, powder-coated frame.

Colours

Extensive range of standard colours comprising 20 powder finishes. You can see the current selection in the KADECO colour fans. We are happy to fulfil other colour choices on request.

CONSERVATORY AWNING 510

Dimensions

Minimum width (mm)

Projection (mm)	min. width
2000	1000
2500	1200
3500	1300
4500	1600
5500	1700
6500	1800

Maximum dimensions (mm)

Model	max. projection	Max. width
510 A		
Single-shaft	6000	6500
Single-shaft	6500	6000
Double-shaft	6000	10000
510 B C		
Single-shaft	6000	6500
Single-shaft	6300	6000
Double-shaft	6300	10000

Please note

Gable systems up to max. 4000 mm projection and max. angle of inclination up to 35° on each roof side.

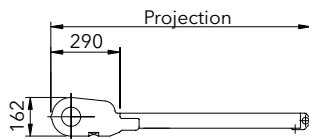
Order width

The order width is always the dimension between centre lines.
The cassette width is the dimension between centre lines + 70 mm.

Guide rail projection

Maximum guide rail projection after last bracket: 1200 mm

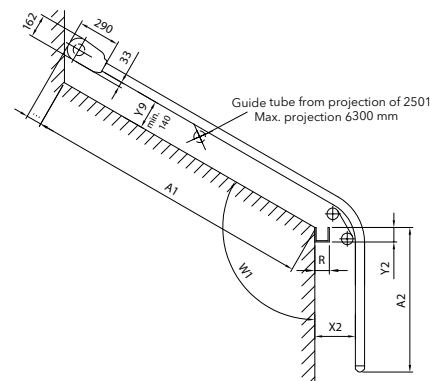
Projection requirements for A systems



Please specify the following dimensions:

Dimension between centre lines (DBCL)
Projection

Projection requirements for B systems

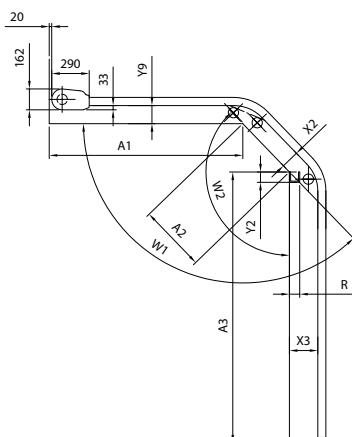


Please specify the following dimensions:

Dimension between centre lines (DBCL)
Building dimension A1
Building dimension A2
Gutter width R
Gutter height Y2
Angle W1 ($> 90^\circ$)

Attachment distance Y9 to be calculated individually for each order (min. 140 mm).
Attachment distance X2 = to be calculated individually for each order
2 tubular deflectors for W1 90°-134°, 1 tubular deflector for W1 $\geq 135^\circ$

Projection requirements for C systems



Please specify the following dimensions:

Dimension between centre lines (DBCL)
Building dimension A1
Building dimension A2
Building dimension A3
Gutter width R
Gutter height Y2
Angle W1 ($> 90^\circ$)
Angle W2 ($> 90^\circ$)

Attachment distance Y9 to be calculated individually for each order
Attachment distance X2 to be calculated individually for each order
2 tubular deflectors for W1 90°-134°, 1 tubular deflector for W1 $\geq 135^\circ$

CONSERVATORY AWNING 510

Brackets

2 brackets for attaching the cassette as standard. Cassette width up to 3000 mm also possible without cassette attachment. In the case of cassette widths of 3001 mm or more, a central bracket is always required to support the cassette.

For model 510 EF, the cassette brackets always consist of 2 cast brackets EKA and one angle bracket EFK (from cassette width of 3001 mm or more).

Number of cassette brackets

Cassette width in mm	1500	2000	2500	3000	3500	4000	4500	5000	5500	6000	6500
Model 510 A B C	2	2	2	2	3	3	3	3	3	3	3

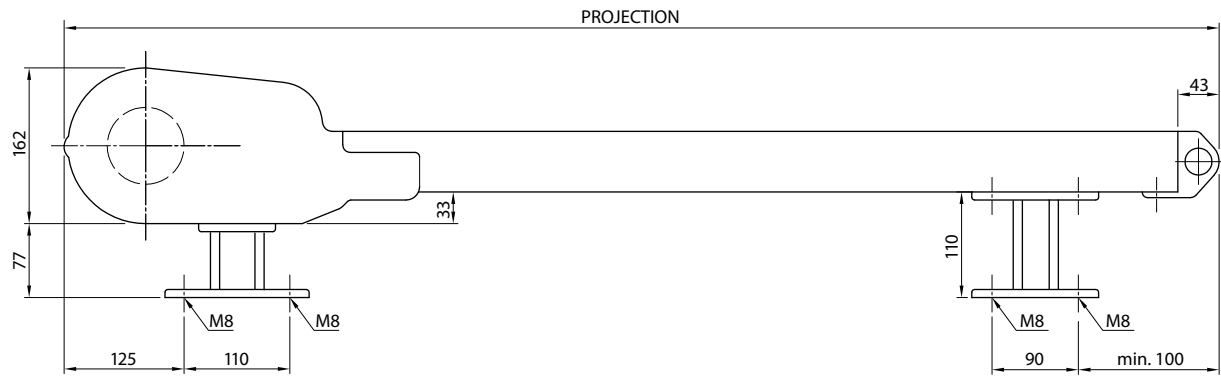
Number of guide rail brackets

Model		510 A	510 B	510 C	510 EF
Projection (mm)	2000	2	4	4	6
	2500	2	6	6	6
	3000	2	6	6	6
	3500	2	6	6	6
	4000	4	6	6	6
	4500	4	6	6	6
	5000	4	8	8	-
	5500	4	8	8	-
	6000	4	8	8	-
	6500	4	8	8	-

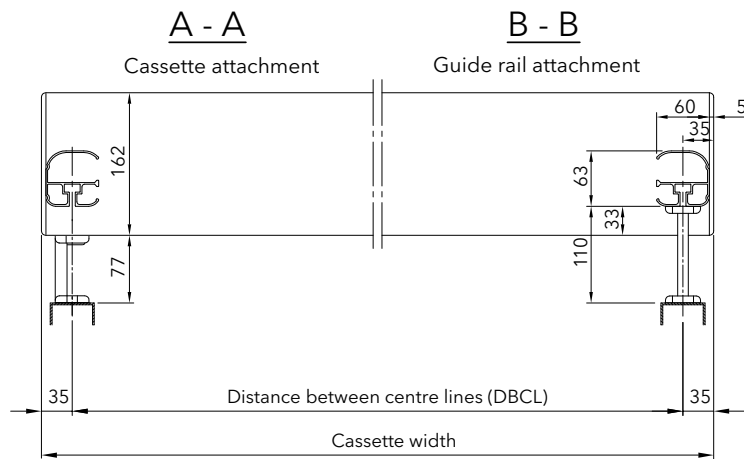
CONSERVATORY AWNING 510 A

Cross sections and dimensions

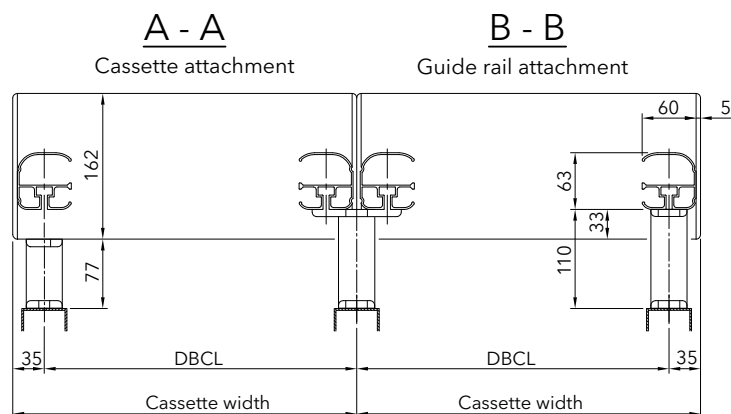
View from side



View from front, single-shaft system



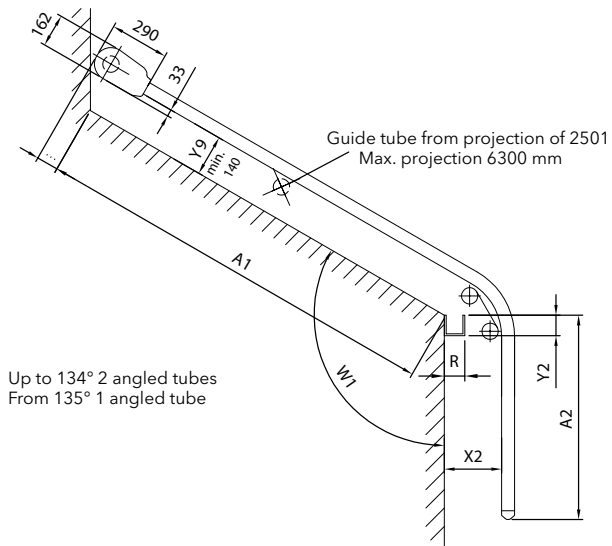
View from front, double-shaft system



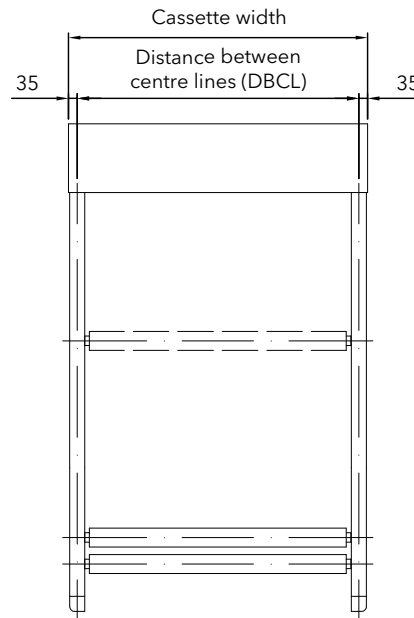
CONSERVATORY AWNING 510 B | C

Cross sections and dimensions

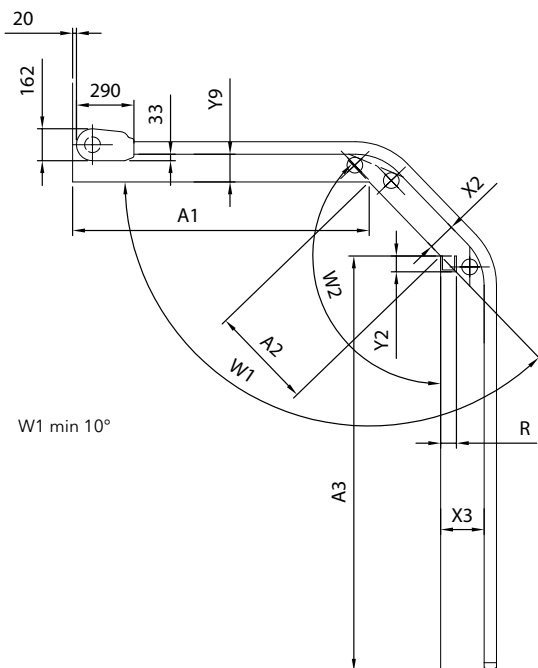
B system - view from side



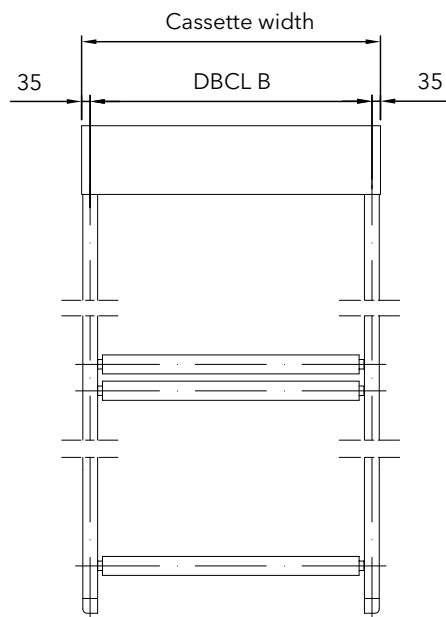
View from front



C system - view from the side



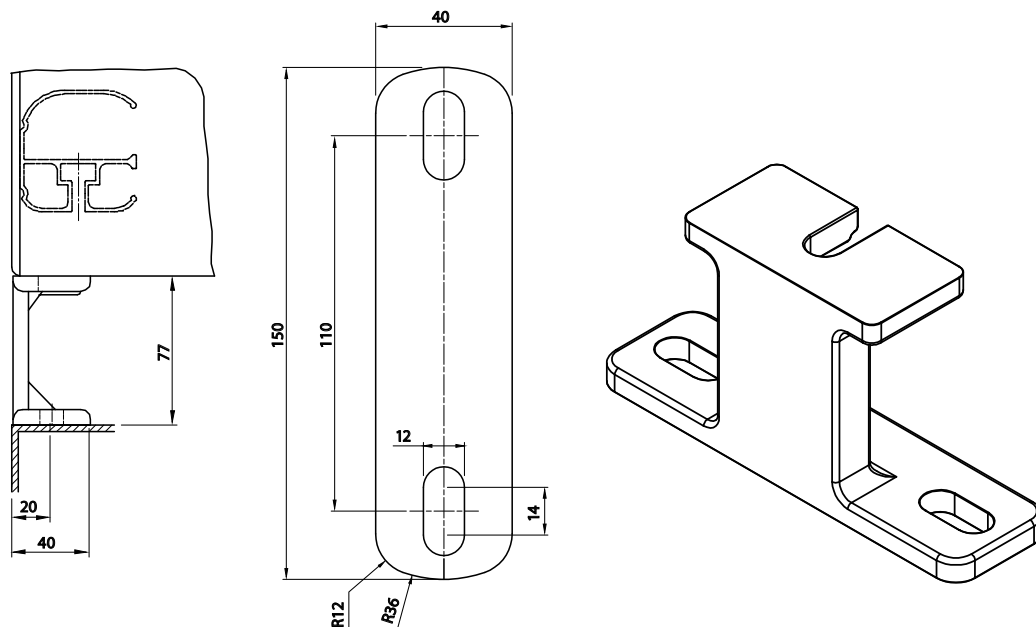
View from front



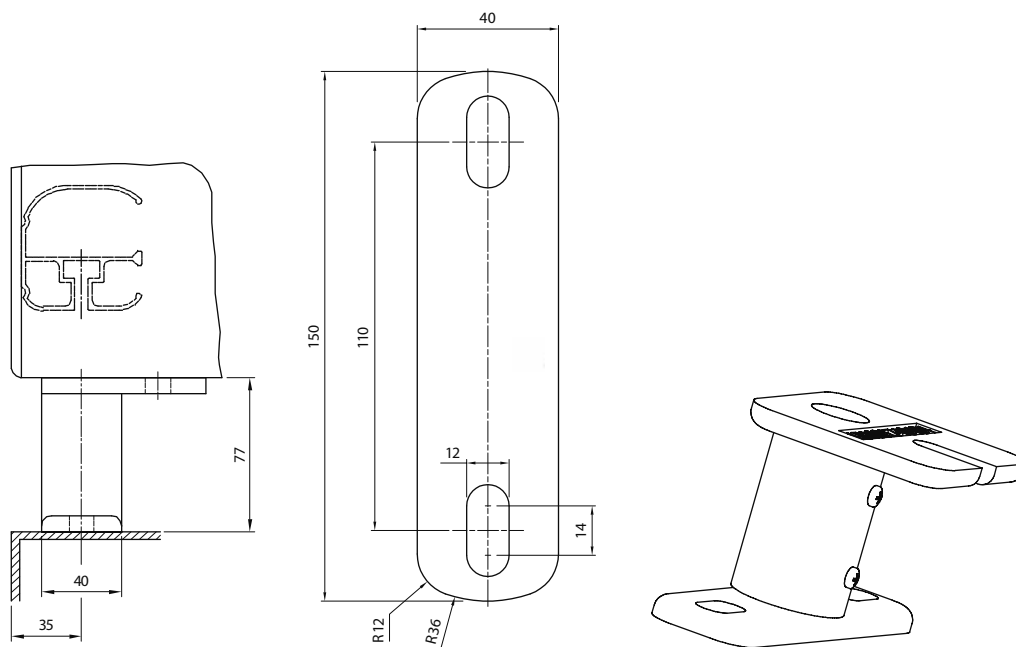
CONSERVATORY AWNING 510 A

Installation accessories

Cast bracket, cassette KA, gauge 110 mm



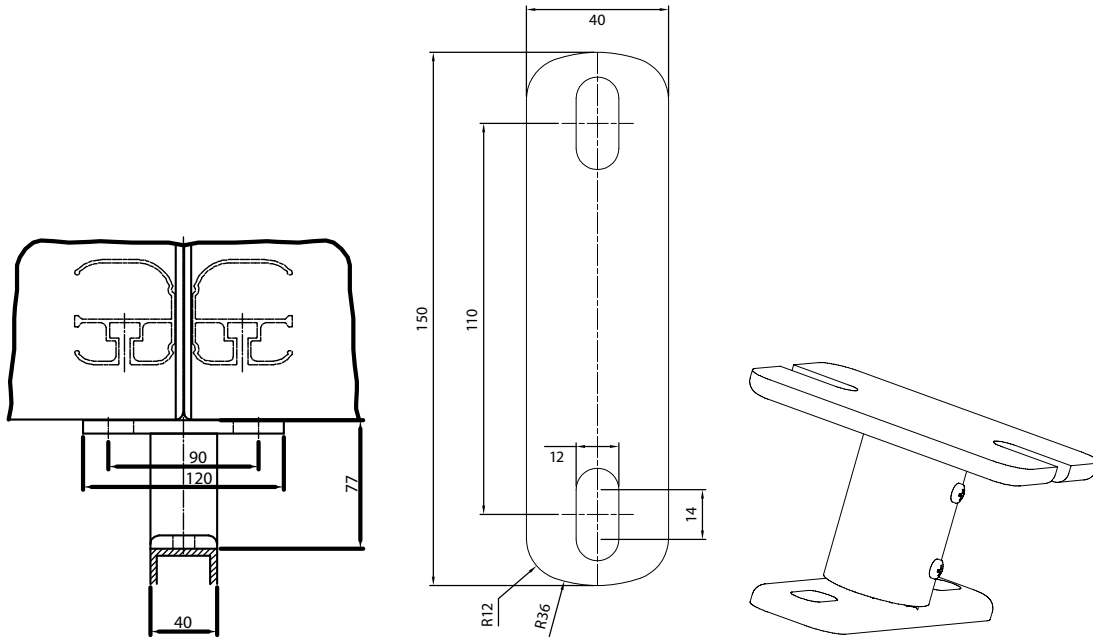
Tubular bracket, cassette RKA, gauge 110 mm



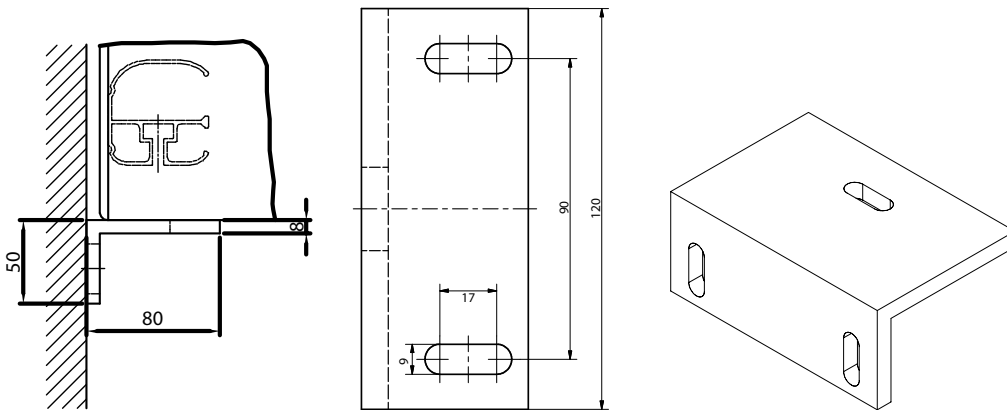
CONSERVATORY AWNING 510 A

Installation accessories

Tubular bracket, cassette DRKA, gauge 110 mm



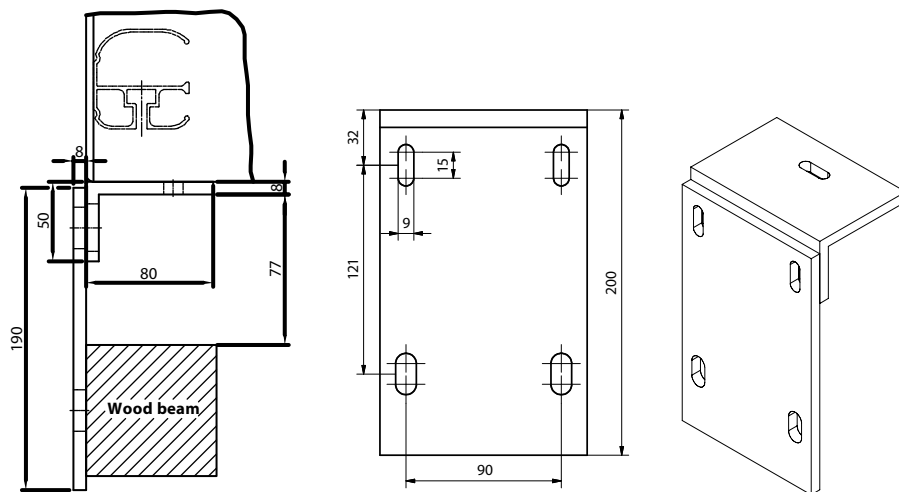
Angle bracket, cassette KL, gauge 90 mm



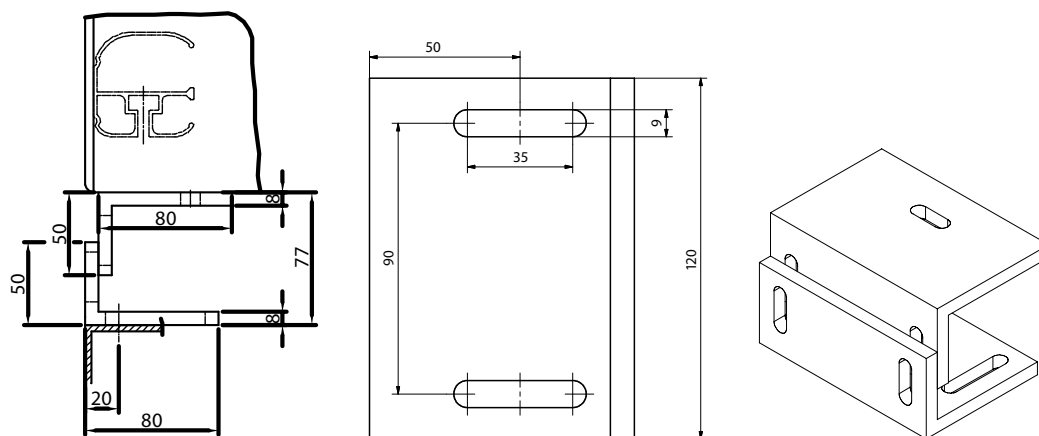
CONSERVATORY AWNING 510 A

Installation accessories

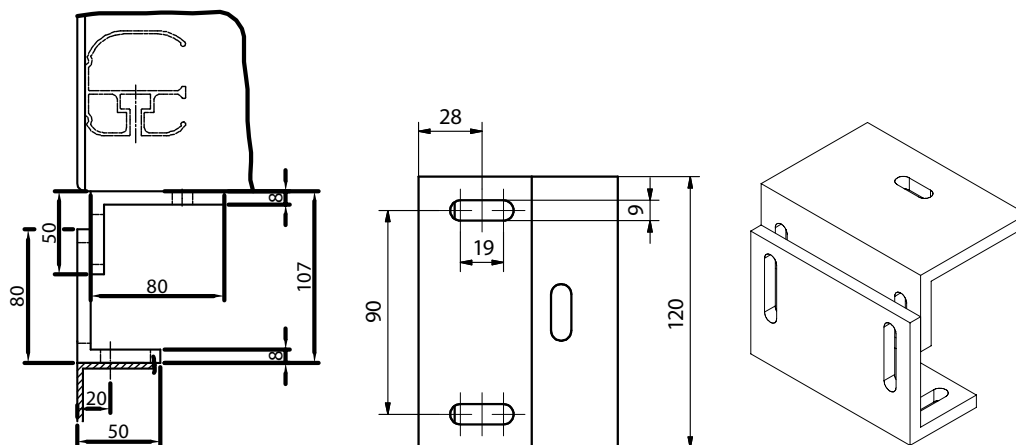
Angle bracket, cassette BK, gauge 90 mm



Angle bracket, cassette DWKA, gauge 90 mm



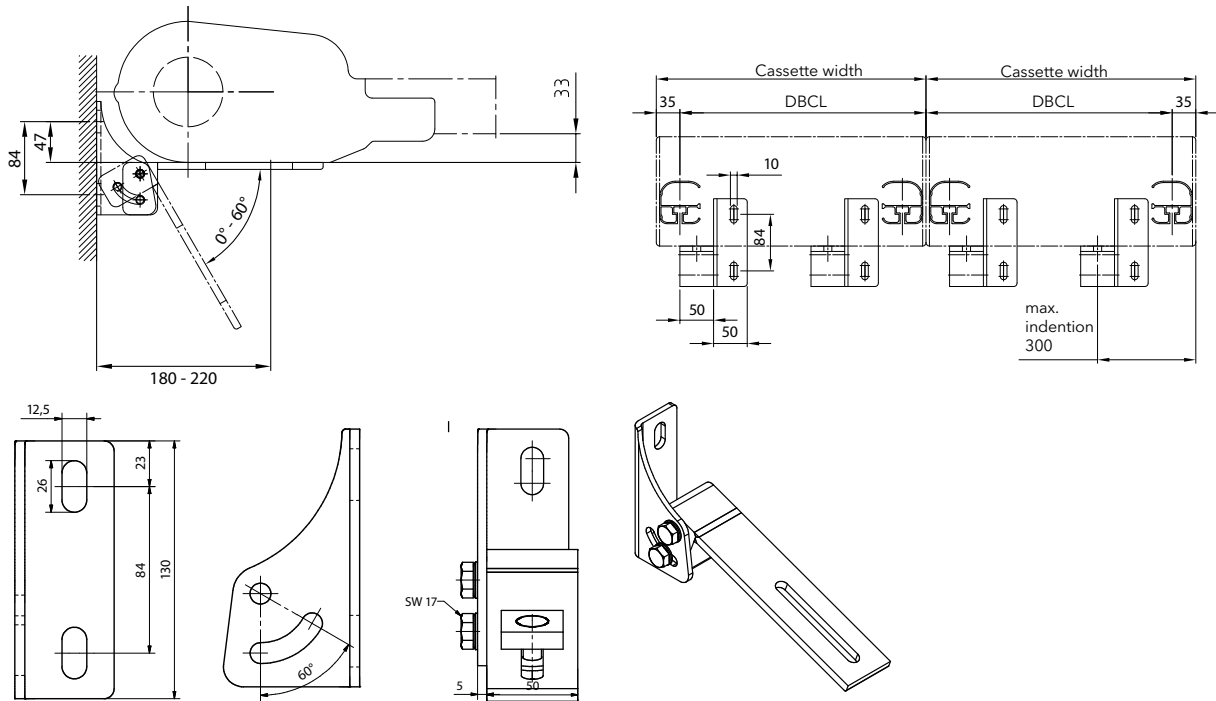
Angle bracket, cassette DWKB, gauge 90 mm



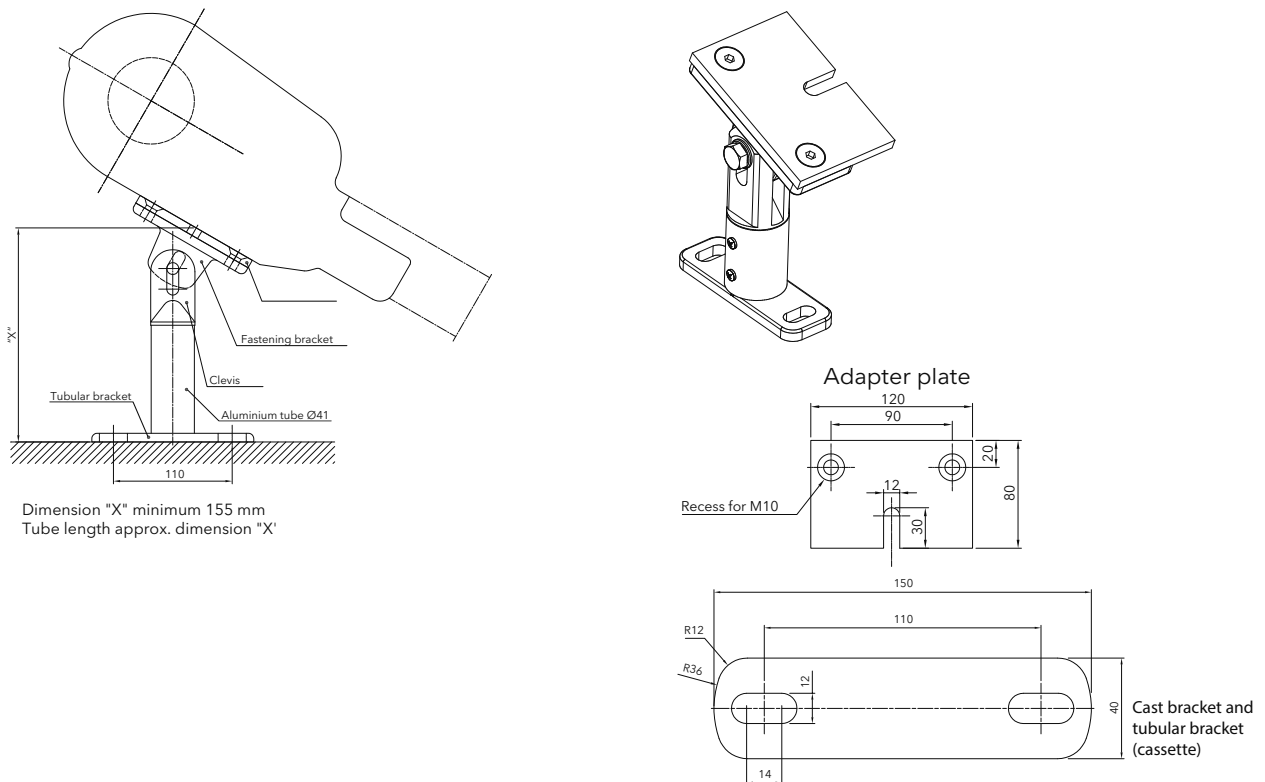
CONSERVATORY AWNING 510 A | B | C

Installation accessories

Wall bracket, cassette WKA



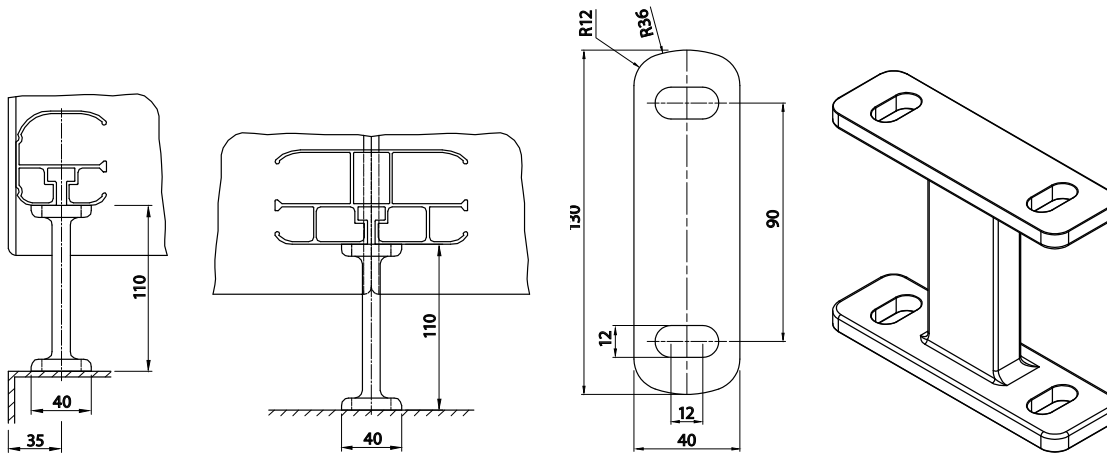
Articulated bracket, cassette GKA



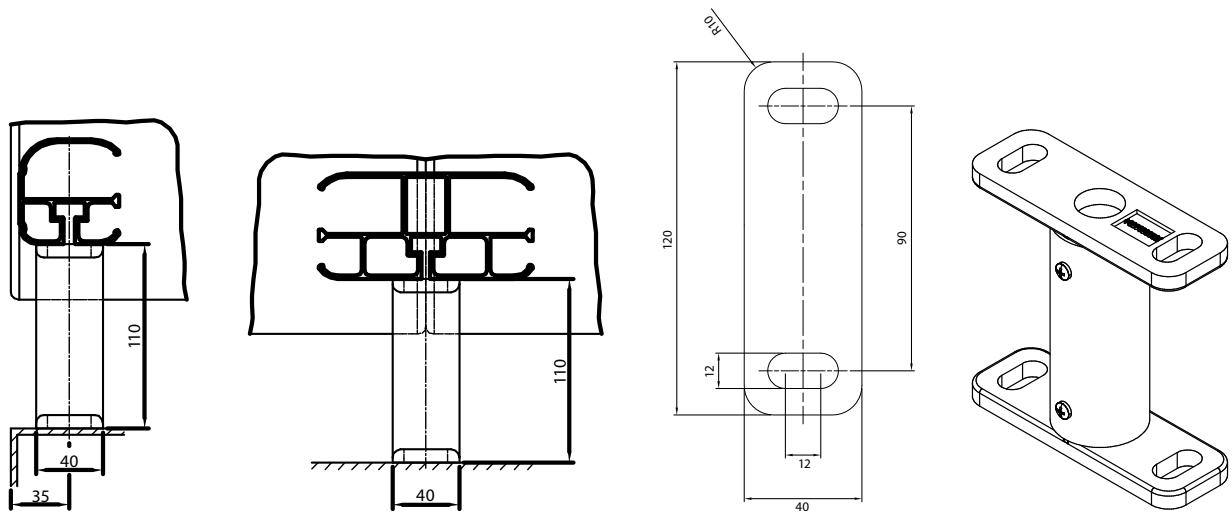
CONSERVATORY AWNING 510 A | B | C

Installation accessories

Cast bracket, guide rail FS, gauge 90 mm



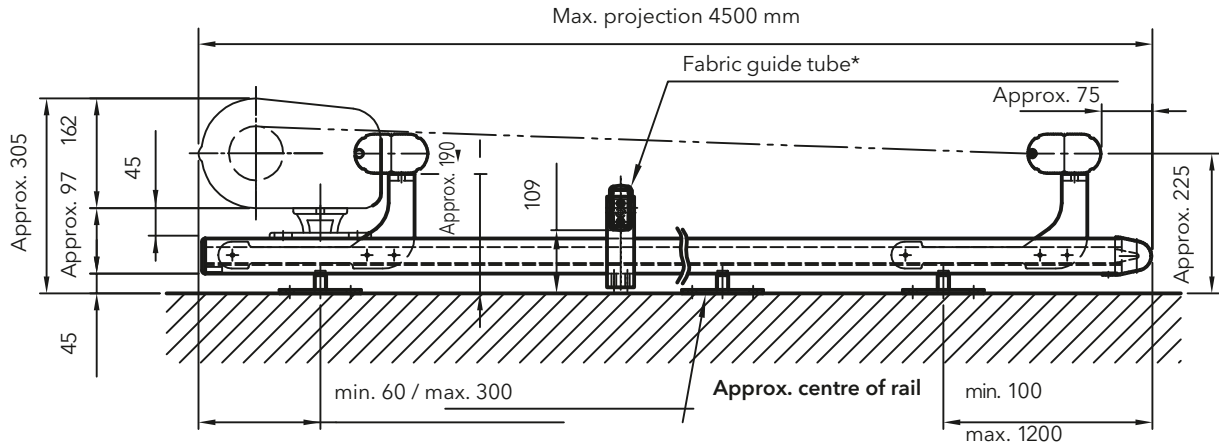
Tubular bracket, guide rail RFS, gauge 90 mm



CONSERVATORY AWNING 510 EF

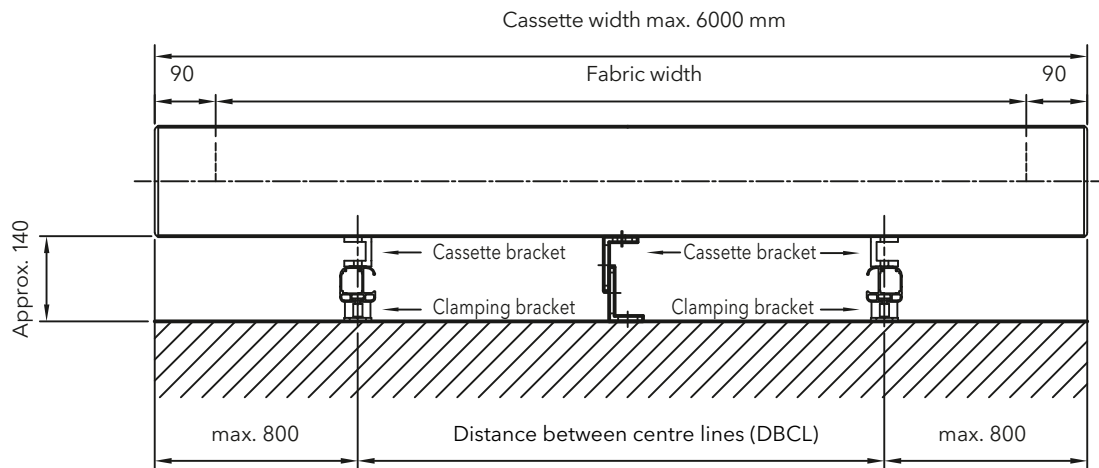
Cross sections and dimensions

Version with indented guide rails - view from the side

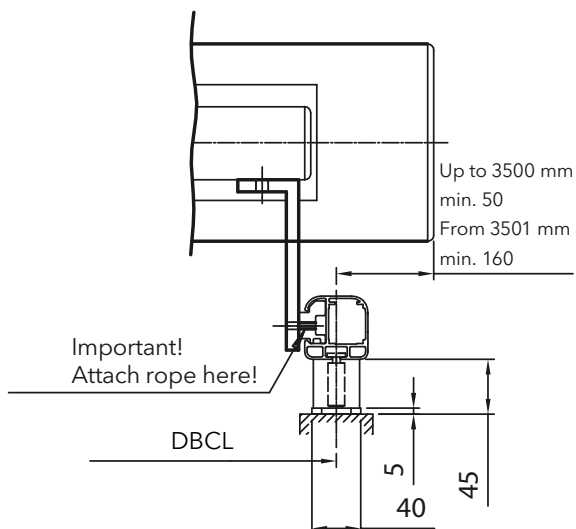


* Standard with a projection of 3501 mm or more

View from front



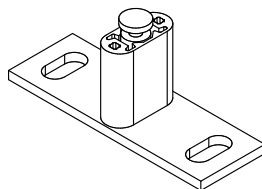
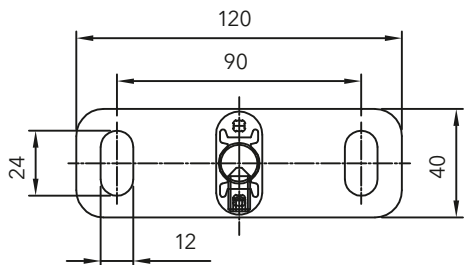
Detail



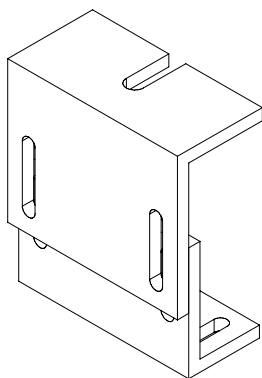
CONSERVATORY AWNING 510 EF

Installation accessories

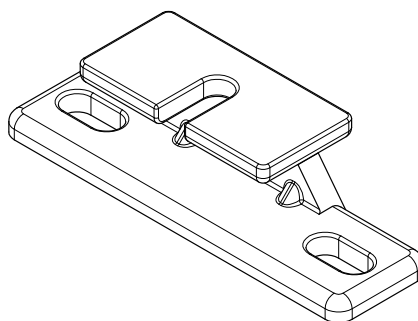
Guide rail EFS



Angle bracket, cassette EFK

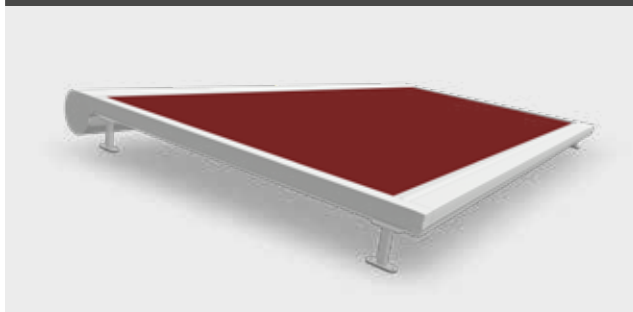


Cast bracket, cassette EKA



CONSERVATORY AWNING 520

Product description



Wind resistance class

Awning with wind resistance class 2 according to DIN EN 13561

Cassette

Unobtrusive cassette measuring 174 x 195 mm, consisting of two extruded aluminium profiles, with the top one serving as an inspection cover. The cast aluminium end caps for the cassette also contain the shaft mount at the same time.

Guide rails

Aluminium extruded profile with the clamping channel and integrated brushes (50 x 64 mm).

Fabric shaft

Steel flat grooved shaft, 85 mm diameter, galvanised, pivot-mounted.

Projection profile

Sturdy, oval extruded aluminium profile with a groove for attaching the fabric.

Belt webbing

Highly tear-resistant, extremely wear-resistant, weather-proof and resistant to UV rays.

Installation

Attached by means of clamping brackets or soffit angle bracket.

Drive

Motor included in the price.

Optionally available with io wireless motor and remote control (for an additional charge).

Material and finish

All connecting parts made of non-corroding stainless steel, powder-coated frame.

Colours

Extensive range of standard colours comprising 20 powder finishes. You can see the current selection in the KADECO colour fans. We are happy to fulfil other colour choices on request.

Fabric stabilisation

Standard with a projection of 4001 mm or more.

Dimensions

Maximum width

5000 mm

Minimum width (mm)

		min. width
Projection (mm)	1000	1295
	1500	1295
	2000	1395
	2500	1595
	3000	2060
	3500	2160
	4000	2260
	4500	2855
	5000	2955
	5500	2955
	6000	3055

Guide rail projection min. 150 mm, max. 1000 mm after centre of last bracket.

Brackets

Mounting brackets for guide rails:
Spacer bracket and soffit angle bracket

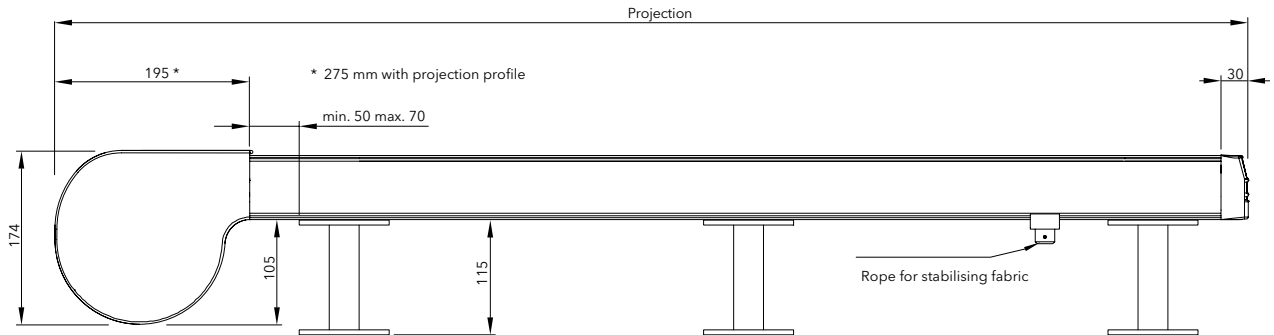
Number of guide rail brackets

		Brackets
Projection (mm)	2000	4
	4000	6
	6000	8

CONSERVATORY AWNING 520

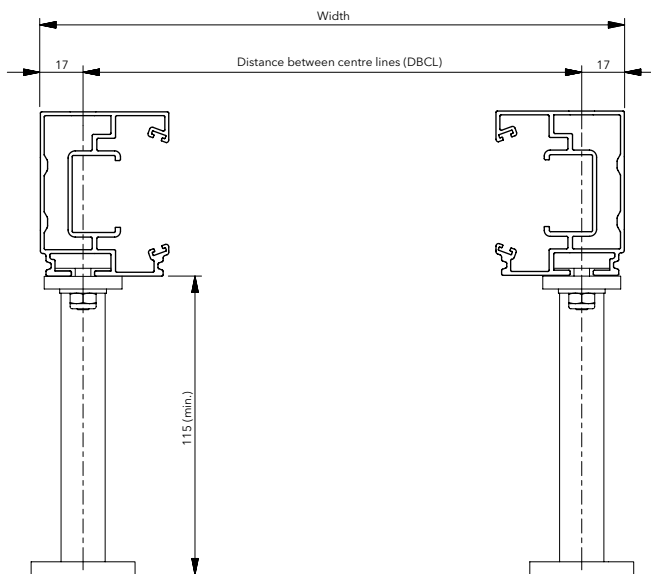
Cross sections and dimensions

View from side

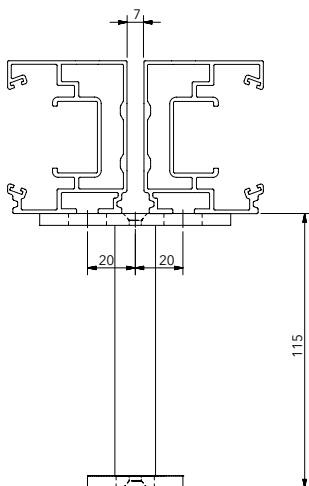


Note: Fabric stabilisation rope as standard with a projection of 4001 mm or more

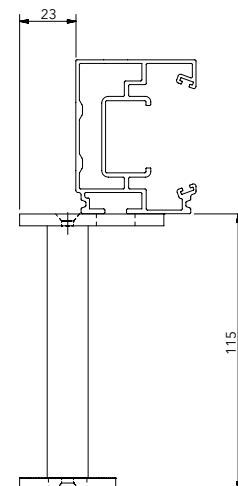
View from front



Bracket for systems located side by side



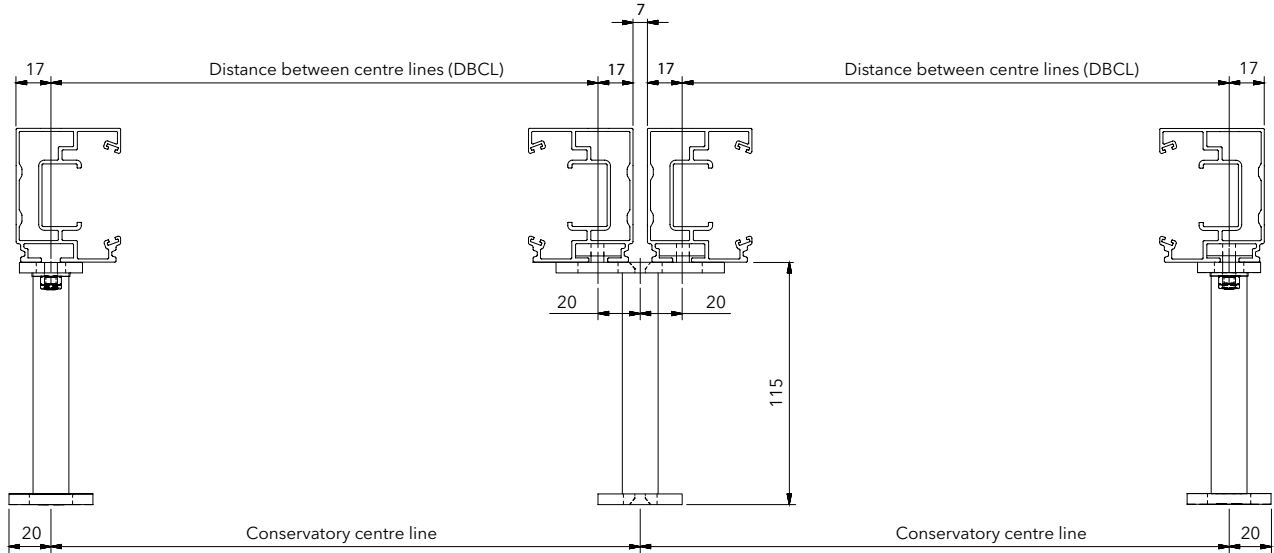
Bracket for offset installation



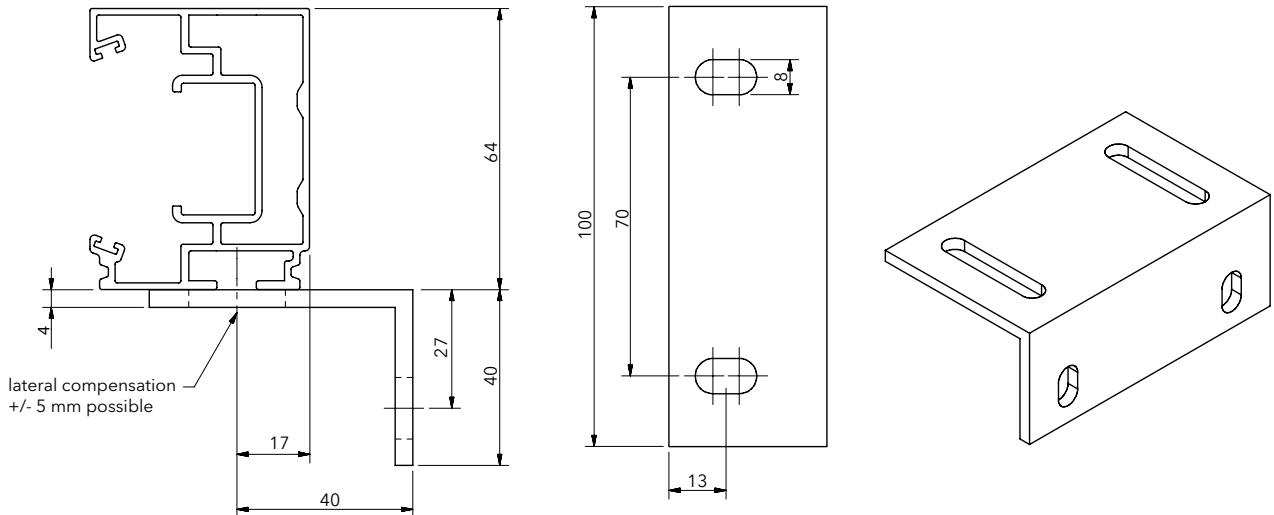
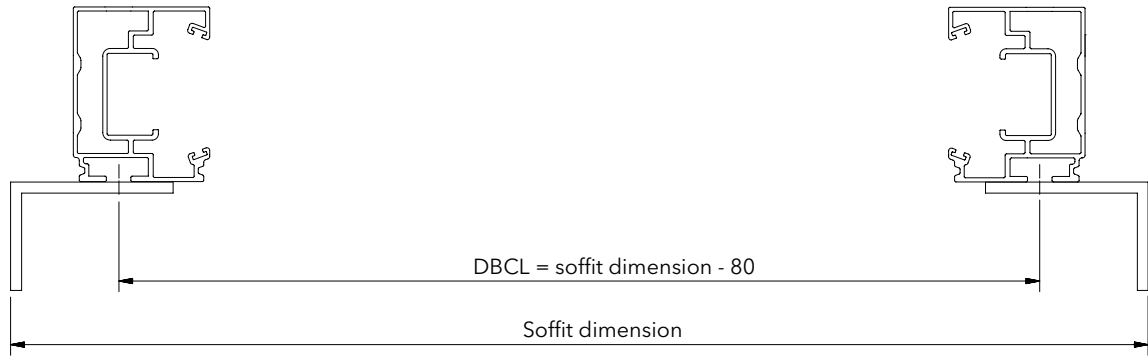
CONSERVATORY AWNING 520

Cross sections and dimensions

View from front - 2 systems side by side



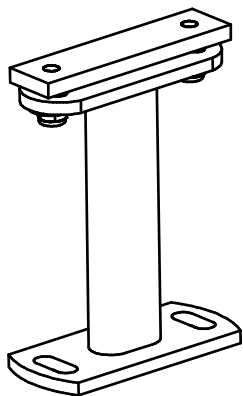
Soffit installation



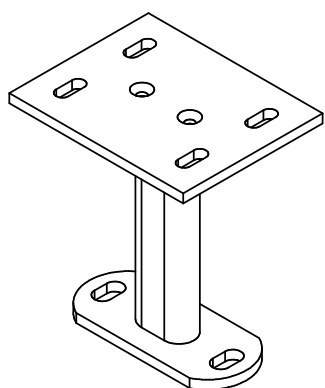
CONSERVATORY AWNING 520

Installation accessories

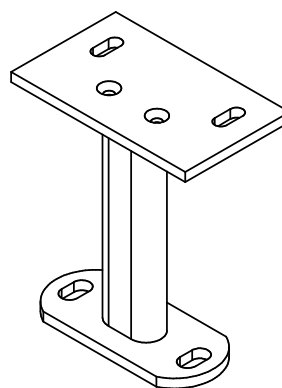
Standard distance bracket 115 mm / spacer variable 115 - 300



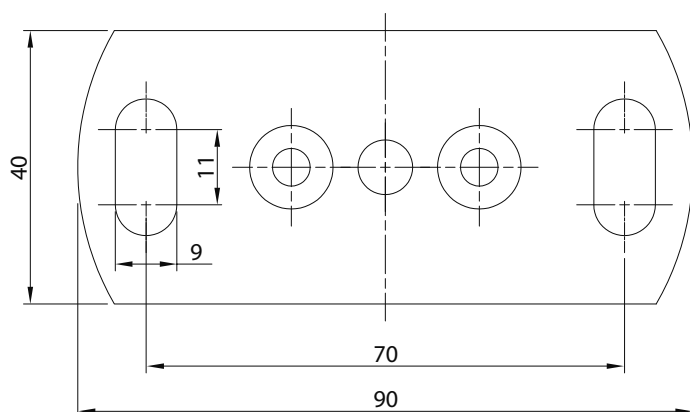
Distance bracket with head plate
for 2 guide rails



Distance bracket with half head plate

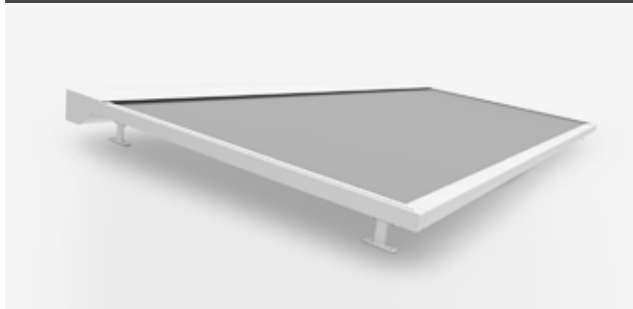


Drilling template, footplate, brackets



CONSERVATORY AWNING 540

Product description



Wind resistance class

Awning with wind resistance class 2 according to DIN EN 13561

Cassette

Modern shape measuring 158 x 268 mm, consisting of three extruded aluminium profiles, with the top one serving as an inspection cover.

Guide rails

Extruded aluminium profile with integrated ZIP fabric guide (62 x 64 mm)

Fabric shaft

Made of galvanised steel, round tube with a diameter of 80 mm and a wall thickness of 2 mm. The spring units for the tensioning system are integrated into the fabric shaft. The fabric is fixed to the shaft using a hook and loop tape fastening.

Projection profile

Rectangular extruded aluminium profile.

Belt webbing

Made of highly tear-resistant polyester/aramid, extremely wear-resistant, weather-proof and resistant to UV rays.

Installation

Attached by means of clamping brackets or soffit angle bracket.

Drive

Motor included in the price.

Optionally available with io wireless motor and remote control (for an additional charge).

Material and finish

All connecting parts made of non-corroding stainless steel, powder-coated frame.

Colours

Extensive range of standard colours comprising 20 powder finishes. You can see the current selection in the KADECO colour fans. We are happy to fulfil other colour choices on request.

Dimensions

Maximum width

6000 mm

Minimum width

1870 mm

Maximum projection

5000 mm

Guide rail projection min. 50 mm, max. 500 mm after last bracket.

Brackets

Mounting brackets for guide rails:
Distance bracket and soffit angle bracket

Number of guide rail brackets

		Brackets
Projection (mm)	2000	4
	4000	6
	6000	8

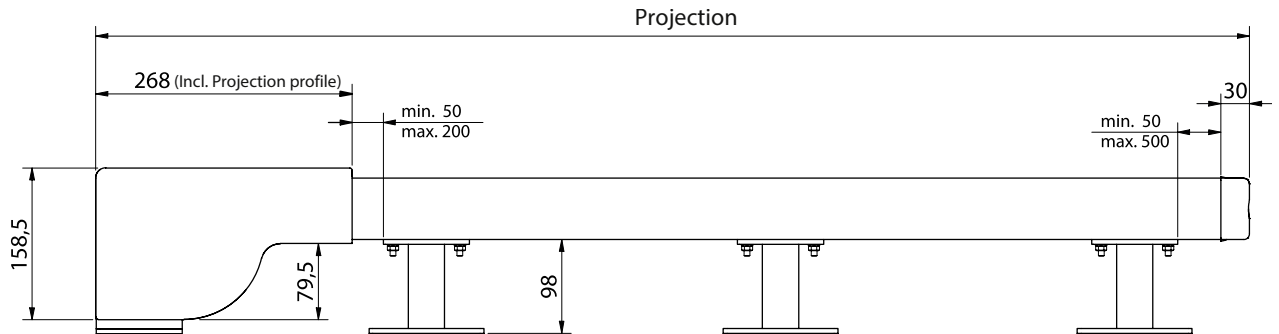
Support brackets for the cassette recommended for simplified installation.

Required for an incline of less than 5°.

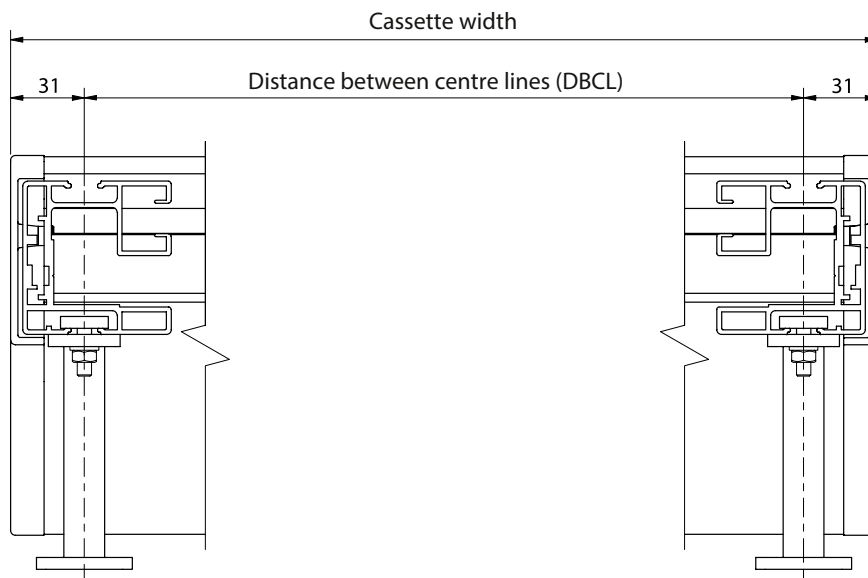
CONSERVATORY AWNING 540

Cross sections and dimensions

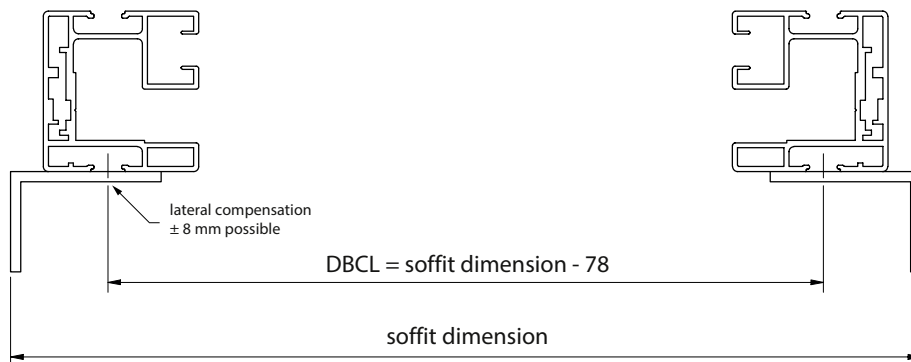
View from side



View from front



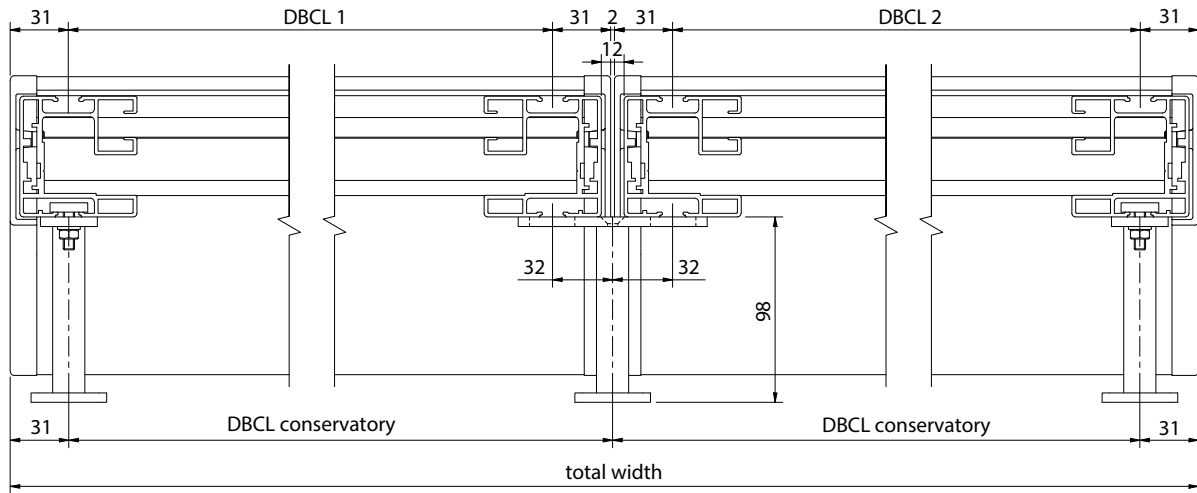
Soffit installation



CONSERVATORY AWNING 540

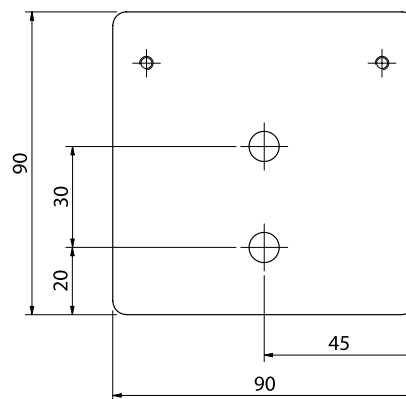
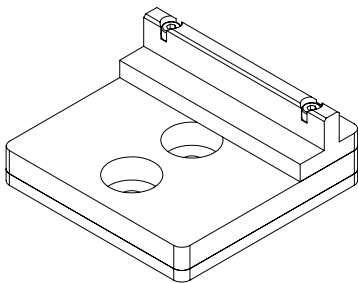
Cross sections and dimensions

View from front - 2 systems side by side



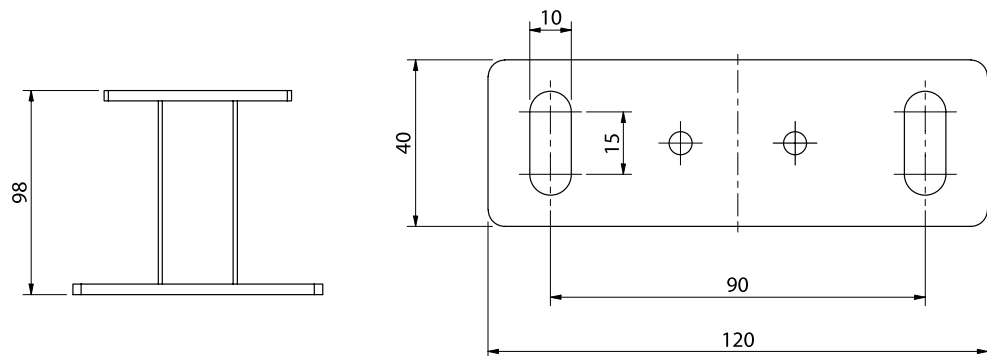
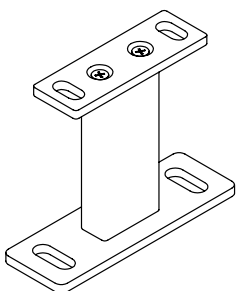
Installation accessories

Support bracket



Fastening side guide

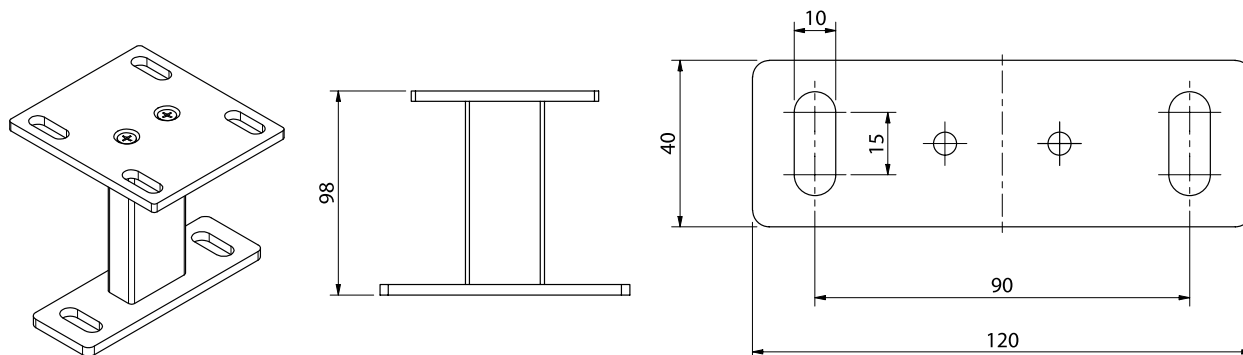
Distance bracket



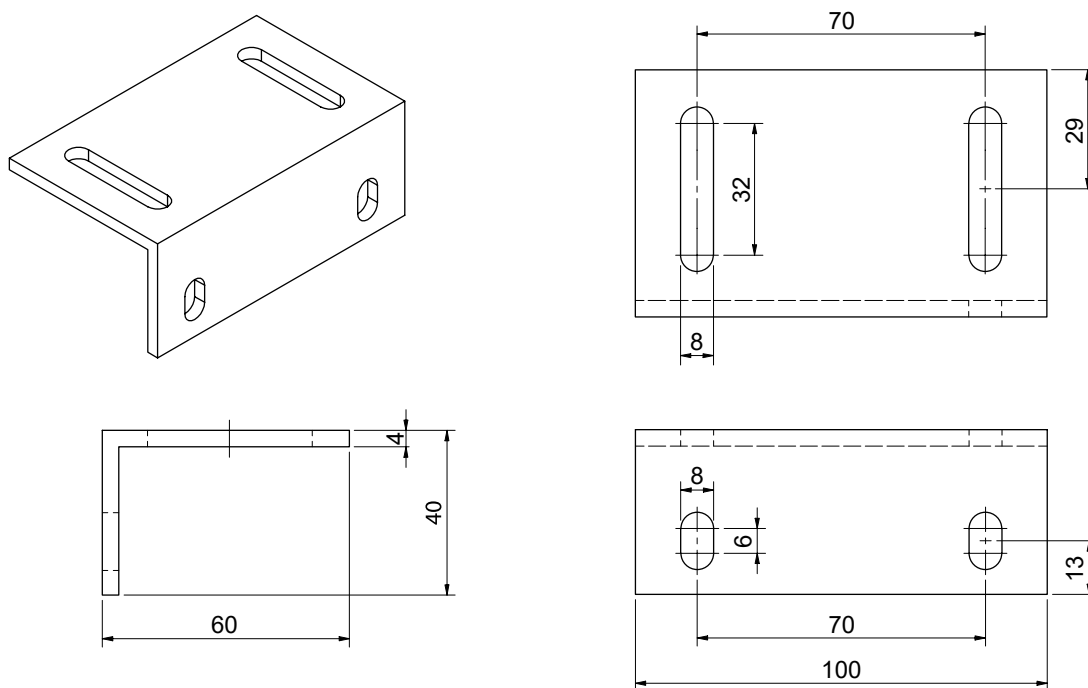
CONSERVATORY AWNING 540

Fastening side guide

Distance bracket with head plate for 2 guide rails

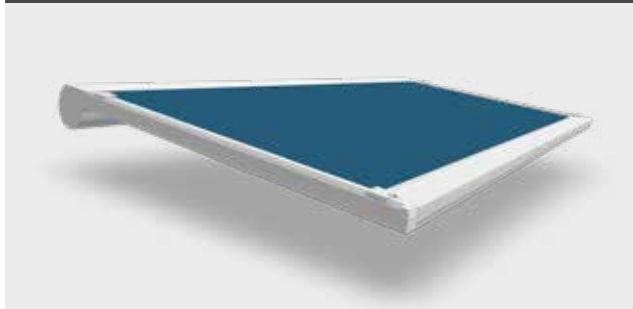


Soffit angle bracket



UNDER-GLASS AWNING 525

Product description



Wind resistance class

Awning with wind resistance class 2 according to DIN EN 13561

Cassette

Unobtrusive cassette measuring 174 x 195 mm, consisting of two extruded aluminium profiles, with the top one serving as an inspection cover. The cast aluminium end caps for the cassette also contain the shaft mount at the same time.

Guide rails

Aluminium extruded profile with the clamping channel and integrated brushes (50 x 64 mm).

Fabric shaft

Steel flat grooved shaft, 85 mm diameter, galvanised, pivot-mounted.

Projection profile

Sturdy, oval extruded aluminium profile with a groove for attaching the fabric.

Belt webbing

Highly tear-resistant, extremely wear-resistant, weather-proof and resistant to UV rays.

Installation

Attached under glass roof by means of clips that can be clipped on from the inside (between the rails) or from the outside.

Drive

Motor included in the price.

Optionally available with io wireless motor and remote control (for an additional charge).

Material and finish

All connecting parts made of non-corroding stainless steel, powder-coated frame.

Colours

Extensive range of standard colours comprising 20 powder finishes. You can see the current selection in the KADECO colour fans. We are happy to fulfil other colour choices on request.

Dimensions

Maximum width

6000 mm

Minimum width (mm)

		min. width
Projection	1000	1295
(mm)	1500	1295
	2000	1395
	2500	1595
	3000	2060
	3500	2160
	4000	2260
	4500	2855
	5000	2955
	5500	2955
	6000	3055

Clips

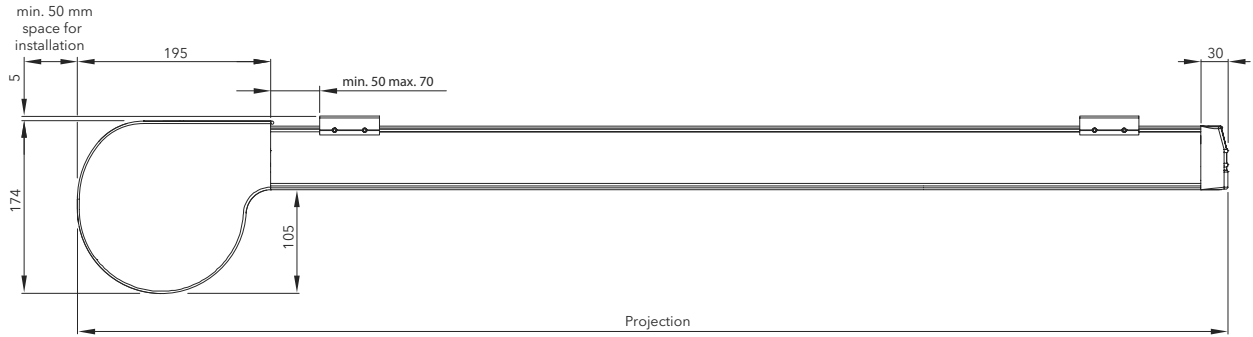
Number of clips

		Clips
Projection	2000	4
(mm)	4000	6
	6000	8

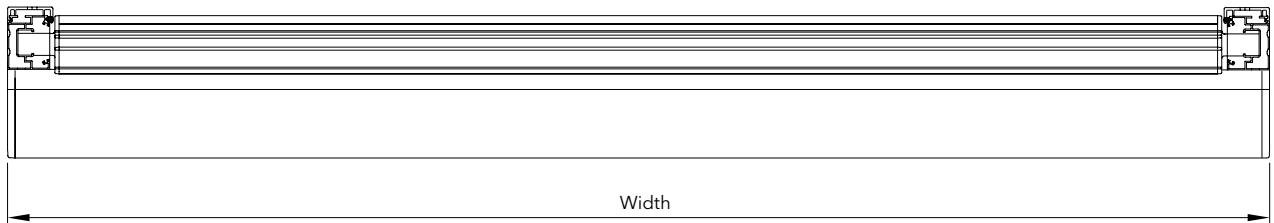
UNDER-GLASS AWNING 525

Cross sections and dimensions

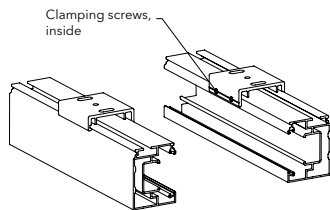
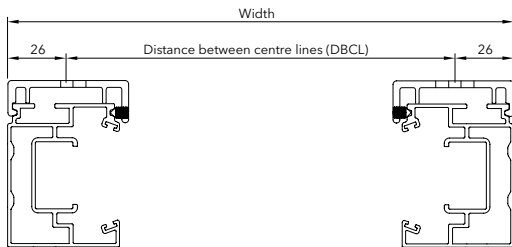
View from side



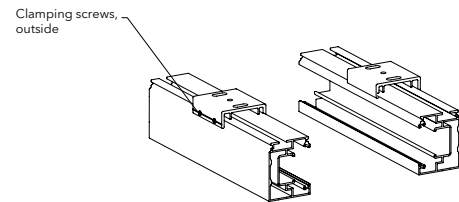
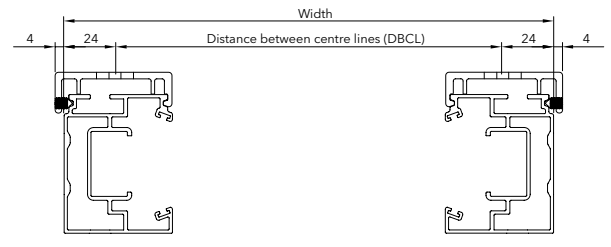
Guide profile



Guide clips, inside



Guide clips, outside



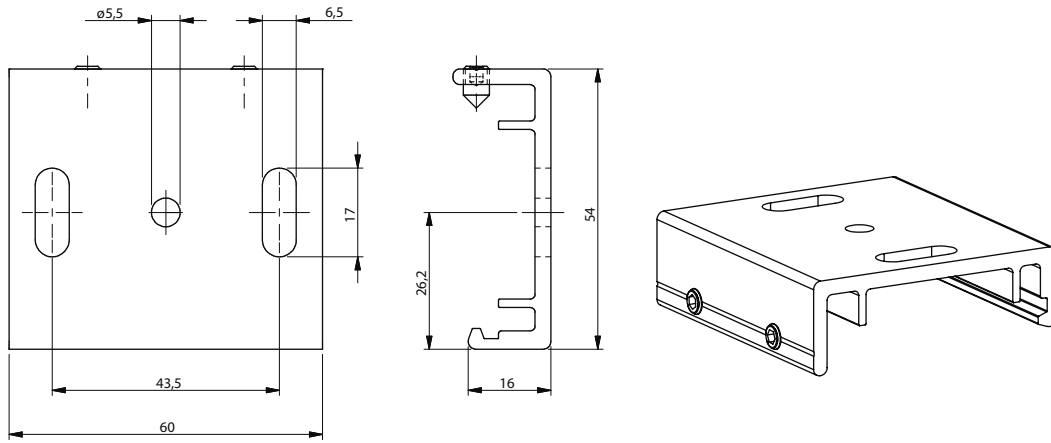
Note:

When ordering, always specify whether the clips are to be attached on the inside or the outside!
With adjacent systems, clips should always be attached on the inside

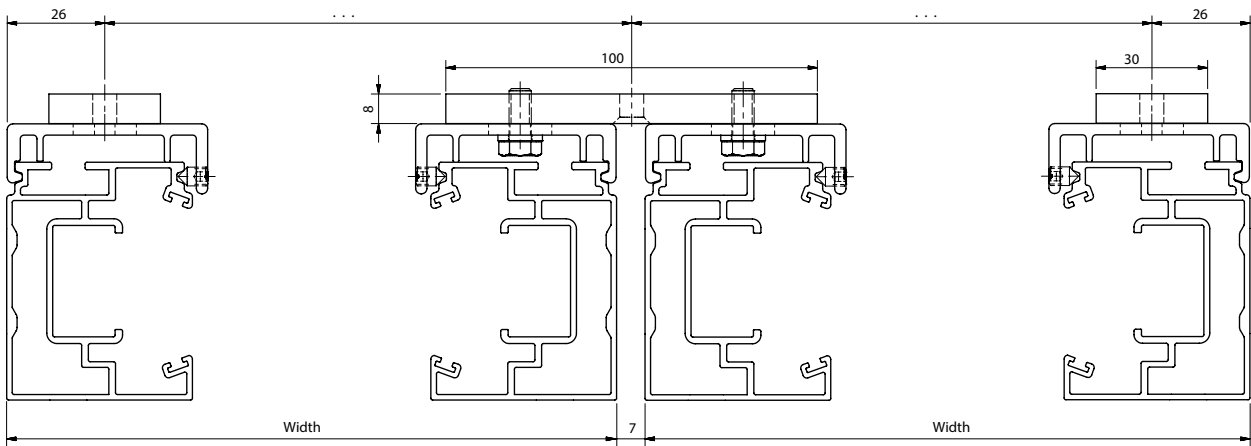
UNDER-GLASS AWNING 525

Installation accessories

Fastening clip



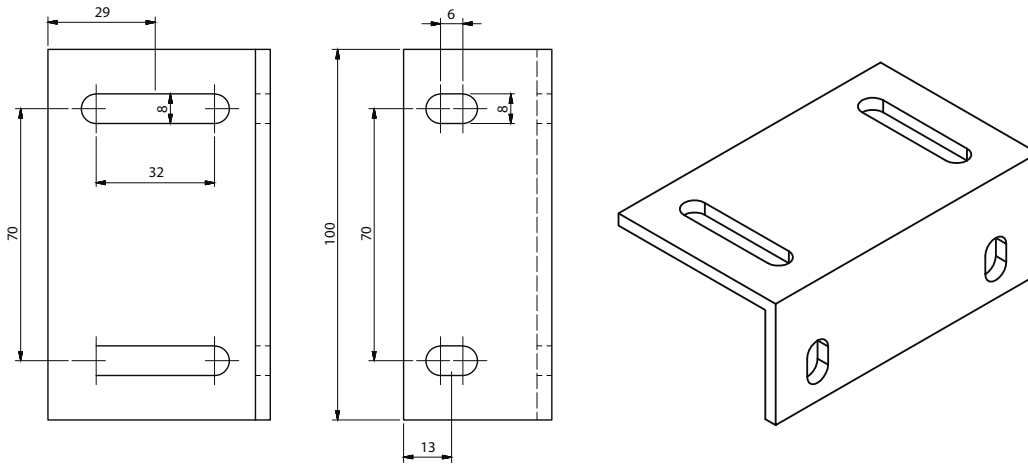
Adjacent systems



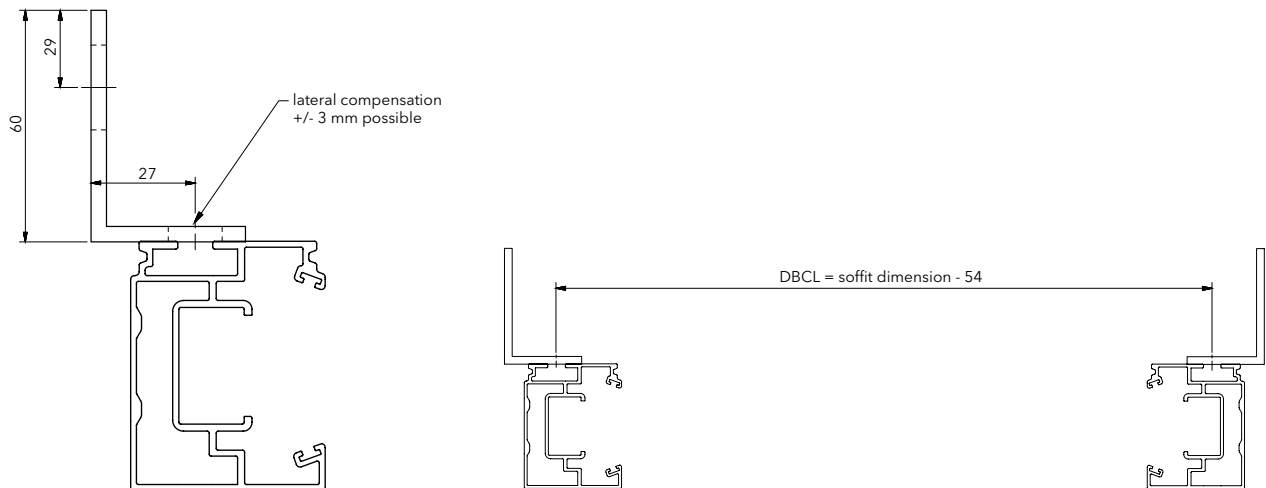
UNDER-GLASS AWNING 525

Installation accessories

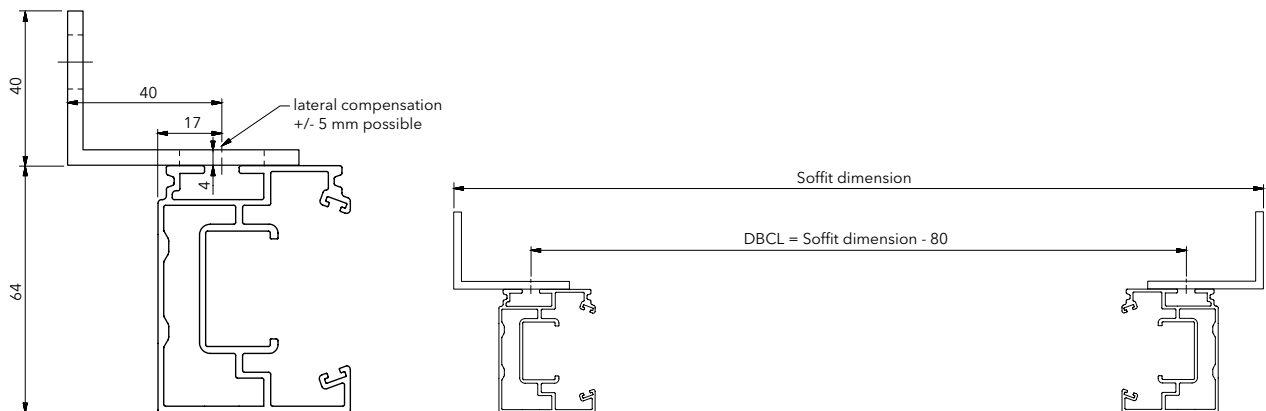
Soffit angle bracket



Soffit angle brackets + 2x guides (-54)

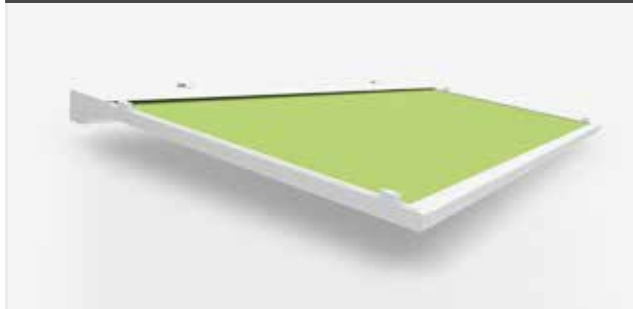


Soffit angle brackets + 2x guides (-80)



UNDER-GLASS AWNING 545

Product description



Wind resistance class

Awning with wind resistance class 2 according to DIN EN 13561

Cassette

Modern shape measuring 158 x 268 mm, consisting of three extruded aluminium profiles, with the top one serving as an inspection cover.

Guide rails

Extruded aluminium profile with integrated ZIP fabric guide (62 x 64 mm)

Fabric shaft

Made of galvanised steel, round tube with a diameter of 80 mm and a wall thickness of 2 mm. The spring units for the tensioning system are integrated into the fabric shaft. The fabric is fixed to the shaft using a hook and loop tape fastening.

Projection profile

Rectangular extruded aluminium profile.

Belt webbing

Made of highly tear-resistant polyester/aramid, extremely wear-resistant, weather-proof and resistant to UV rays.

Installation

Fixed using holders for ceilings or recesses and soffit angle brackets.

Drive

Motor included in the price.

Optionally available with io wireless motor and remote control (for an additional charge).

Material and finish

All connecting parts made of non-corroding stainless steel, powder-coated frame.

Colours

Extensive range of standard colours comprising 20 powder finishes. You can see the current selection in the KADECO colour fans. We are happy to fulfil other colour choices on request.

Dimensions

Maximum width

6000 mm

Minimum width

1870 mm

Maximum projection

5000 mm

Guide rail projection min. 50 mm, max. 500 mm after last bracket.

Brackets

Mounting brackets for guide rails: Holder for ceiling/soffit and soffit angle brackets.

Number of guide rail brackets

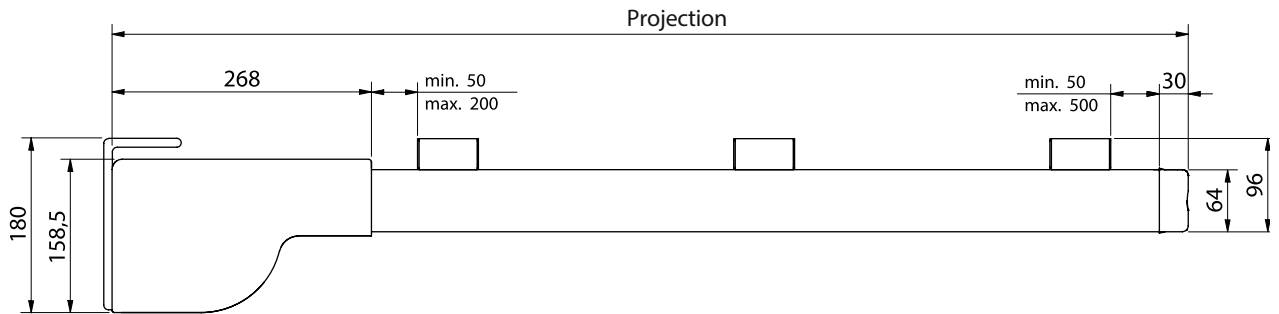
		Brackets
Projection (mm)	2000	4
	4000	6
up to	6000	8

Ceiling angle brackets for the cassette recommended for simplified installation. Required for an incline of less than 5°.

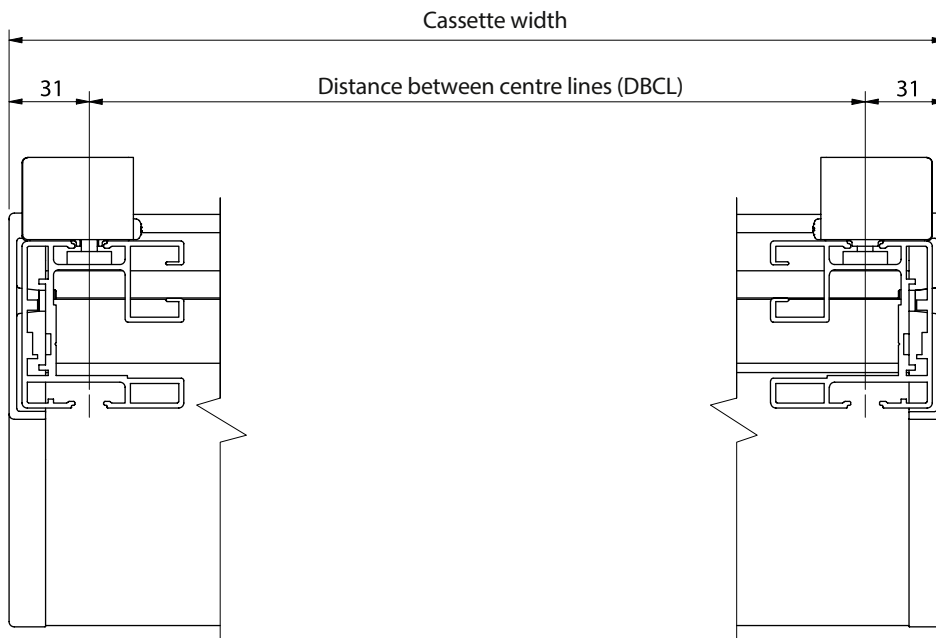
UNDER-GLASS AWNING 545

Cross sections and dimensions

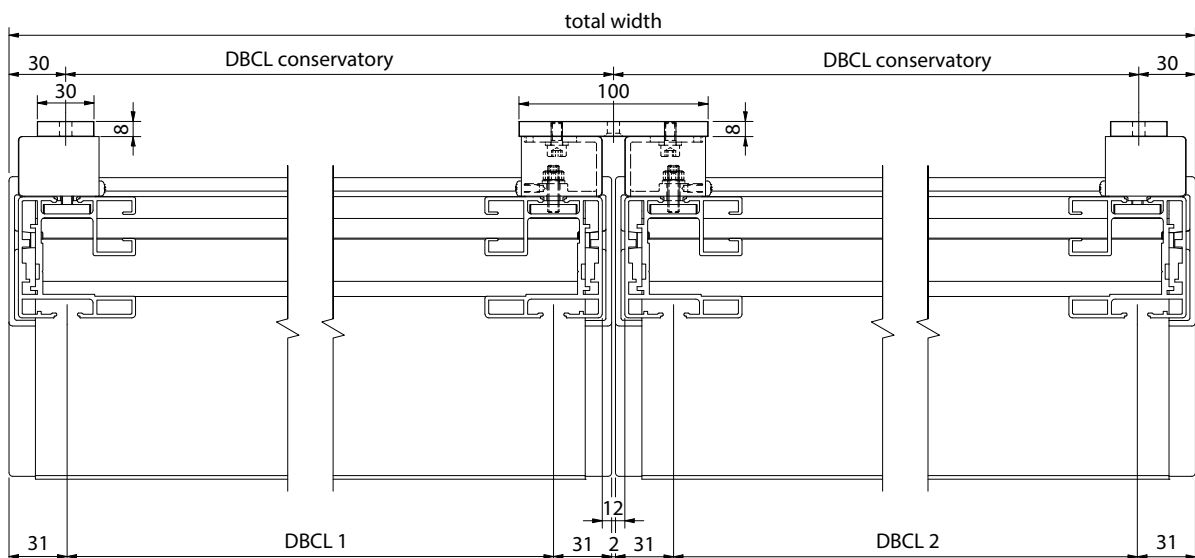
View from side



View from front



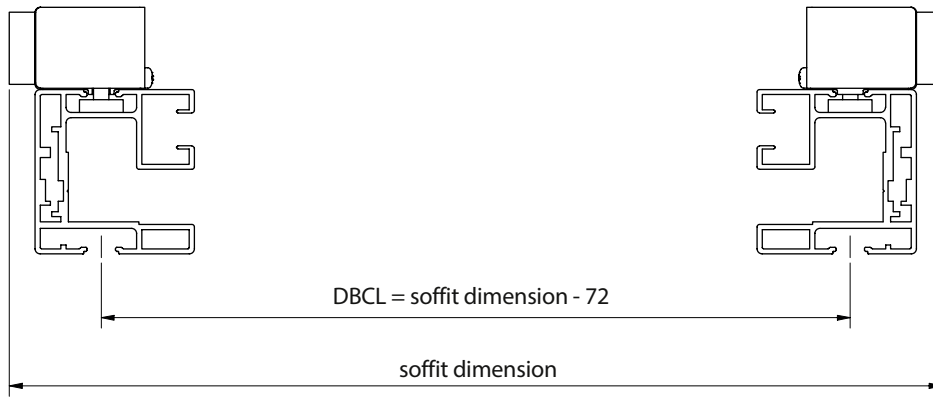
View from front - 2 systems side by side



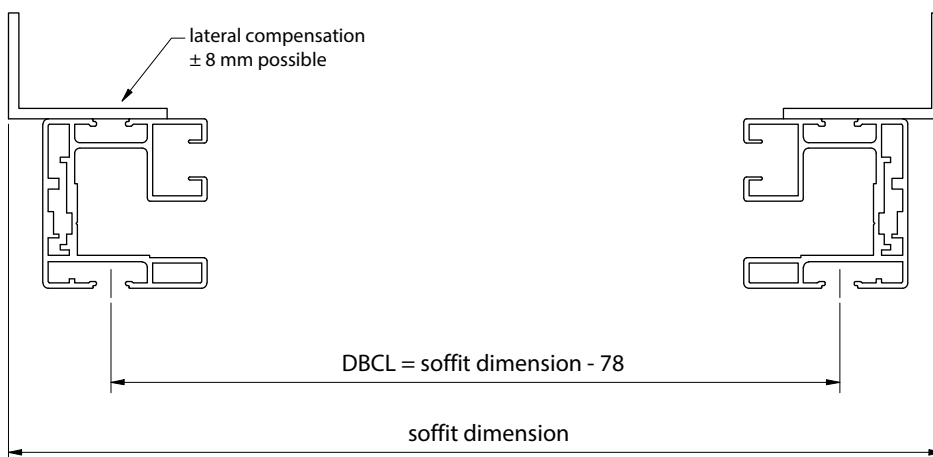
UNDER-GLASS AWNING 545

Cross sections and dimensions

Soffit installation

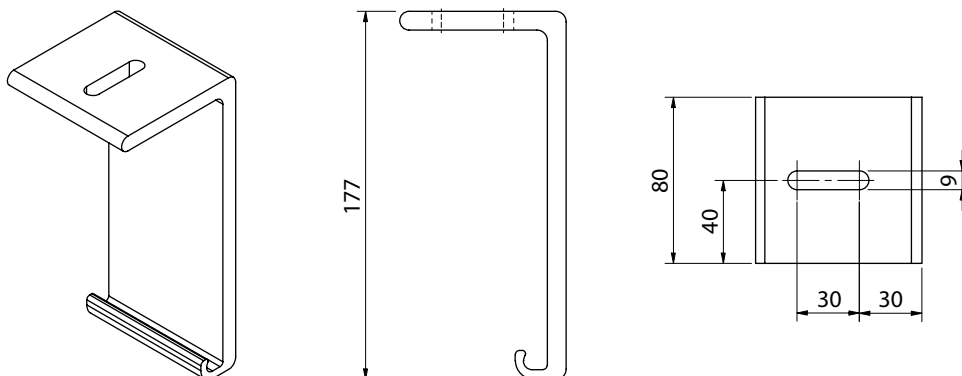


Installation with soffit angle brackets



Installation accessories

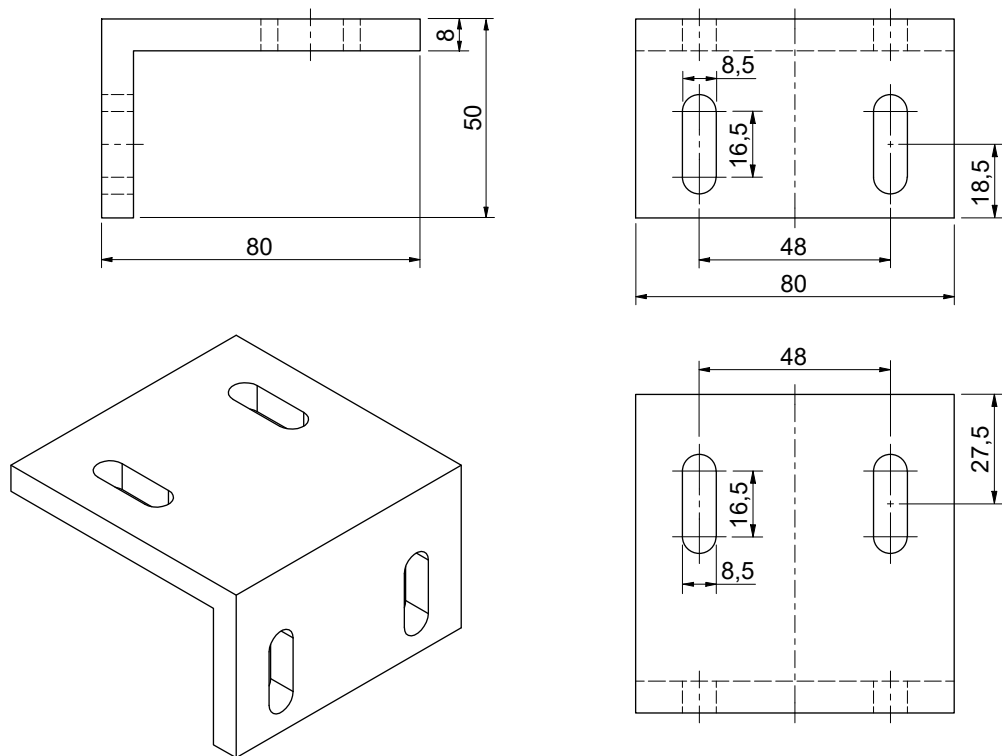
Ceiling angled bracket



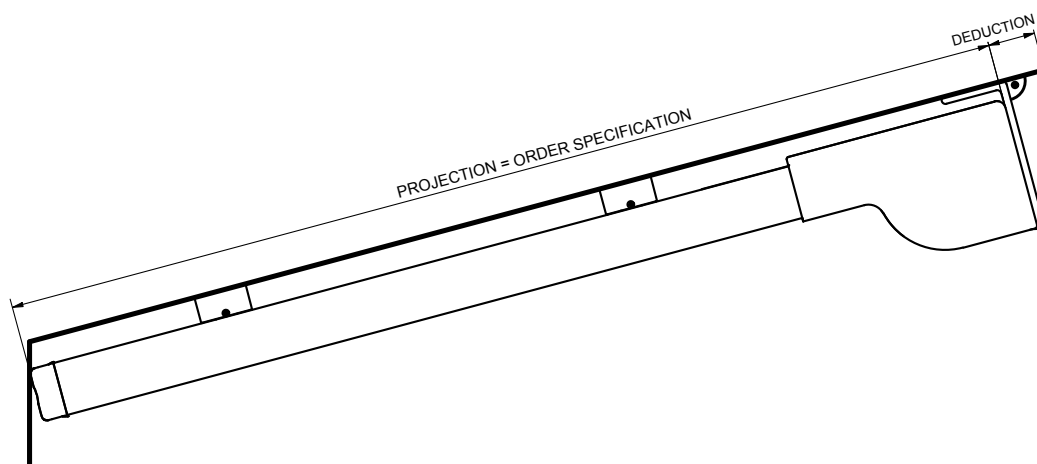
UNDER-GLASS AWNING 545

Installation accessories

Angle bracket for guide rails



Help with calculating dimensions



Angle of inclination	5°	10°	15°	20°	25°	30°	35°	40°	45°
Deduction mm	25	40	55	75	90	110	135	160	185

Please note

Dimensions without deductions! Please factor in clearance where necessary.
 We recommend min. 10 mm clearance.
 Installation length - deduction dimension