

WPL11



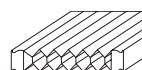
Description

- Tensioned system for sloping or horizontal installation in the ceiling area with fixed top and bottom rails made of aluminium (22.0 x 16.9 mm)
- Top and bottom rails fastened with clips
- Operating rail made of aluminium (22.0 x 16.9 mm)
- Fabric is guided by fixed, UV-resistant carbon-fibre tensioning cords
- Stacking on one side
- Operated via an operating rod
- Particularly suitable for conservatories and glass roofs

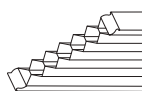
Number of bracing wires

System width in mm	Bracing wires
200	2
300	3
400	3
500	3
600	4
700	4
800	5
900	5
1000	5
1100	6
1200	6
1300	7
1400	7
1500	7

Installation option



horizontal



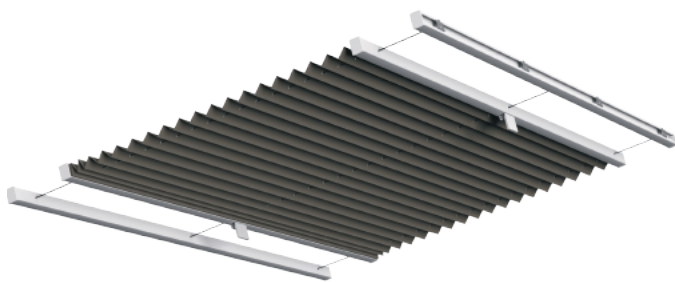
slope (roof pitch < 30°)

Please note

We can accept no warranty claims for glass damage sustained once the honeycomb blind has been installed.

<p>Profile colours</p> <ul style="list-style-type: none"> White Anodised silver Anthracite Black brown 	<p>Profiles</p>	<p>Dimensions</p> <p>Max. width x height 150 x 400* cm</p> <p>Min. width x height 20 x 30 cm</p>	<p>System height</p> <ul style="list-style-type: none"> 50 cm 100 cm 150 cm 200 cm 250 cm 300 cm 350 cm 400 cm 	<p>Stack height</p> <ul style="list-style-type: none"> max. 8.5 cm max. 10.0 cm max. 11.5 cm max. 13.0 cm max. 14.5 cm max. 16.0 cm max. 17.5 cm max. 19.0 cm
<p>Plastic colours</p> <ul style="list-style-type: none"> White Grey Black 	<p>Profiles</p>	<p>*depending on the fabric, all fabrics possible up to 220 cm</p>		

WPL12



Description

- Tensioned system for sloping or horizontal installation in the ceiling area with fixed top and bottom rails made of aluminium (22 x 16.9 mm)
- Top and bottom operating rails made of aluminium (22 x 16.9 mm), freely movable
- Fabric is guided by fixed, UV-resistant carbon-fibre tensioning cords
- Variable stacking
- Operated via an operating rod
- Particularly suitable for conservatories and glass roofs

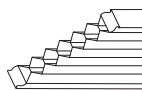
Number of bracing wires

System width in mm	Bracing wires
200	2
300	3
400	3
500	3
600	4
700	4
800	5
900	5
1000	5
1100	6
1200	6
1300	7
1400	7
1500	7

Installation option



horizontal



slope (roof pitch < 30°)

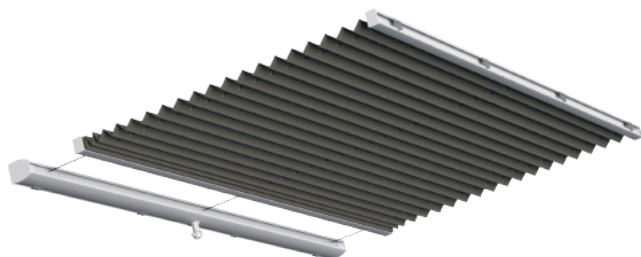
Please note

We can accept no warranty claims for glass damage sustained once the honeycomb blind has been installed.

<p>Profile colours</p> <ul style="list-style-type: none"> White Anodised silver Anthracite Black brown 	<p>Profiles</p>	<p>Dimensions</p> <p>Max. width x height 120 x 300* cm</p> <p>Min. width x height 20 x 30 cm</p> <p>*depending on the fabric, all fabrics possible up to 220 cm</p>	<p>System height</p> <ul style="list-style-type: none"> 50 cm 100 cm 150 cm 200 cm 250 cm 300 cm 	<p>Stack height</p> <ul style="list-style-type: none"> max. 9.5 cm max. 11.0 cm max. 12.5 cm max. 14.0 cm max. 15.5 cm max. 17.0 cm
---	------------------------	--	---	--

- Plastic colours**
- White
 - Grey
 - Black

WPLK13



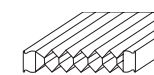
Description

- Tensioned system for sloping or horizontal installations in the ceiling area with fixed top rail (22 x 16.9 mm) and bottom rail (29.4 x 37.8 mm) made of aluminium
- Top and bottom rails fastened with clips
- Operating rail made of aluminium (22 x 16.9 mm)
- Fabric is guided by fixed, UV-resistant carbon-fibre tensioning cords
- Stacking on one side
- Operated via a crank handle or an electric rod

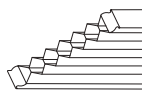
Number of bracing wires

System width in mm	Bracing wires
200	2
300	3
400	3
500	3
600	4
700	4
800	5
900	5
1000	5
1100	6
1200	6
1300	7
1400	7
1500	7

Installation option



horizontal



slope (roof pitch < 30°)

Motorised honeycomb blinds

Also available as motorised honeycomb blinds M-WPLE. Further information on motor drives can be found in our separate motor drive brochures.

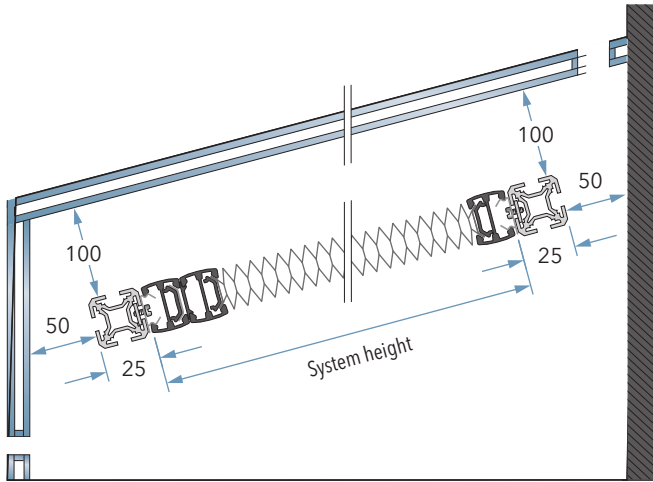
Please note

We can accept no warranty claims for glass damage sustained once the honeycomb blind has been installed.

<p>Profile colours</p> <ul style="list-style-type: none"> White Anodised silver Anthracite Black brown 	<p>Profiles</p>	<p>Dimensions</p> <p>Max. width x height 150 x 400* cm</p> <p>Min. width x height 20 x 30 cm</p> <p>*depending on the fabric, all fabrics possible up to 220 cm</p>	<p>System height</p> <ul style="list-style-type: none"> 50 cm 100 cm 150 cm 200 cm 250 cm 300 cm 350 cm 400 cm 	<p>Stack height</p> <ul style="list-style-type: none"> max. 9.5 cm max. 11.0 cm max. 12.5 cm max. 14.0 cm max. 15.5 cm max. 17.0 cm max. 18.5 cm max. 20.0 cm
---	------------------------	--	---	--

CEILINGINGS

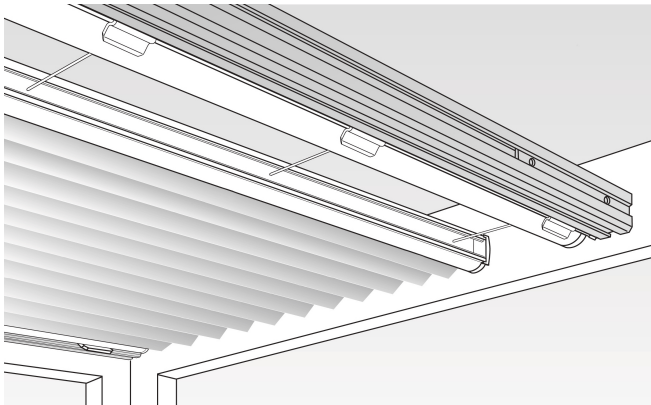
Important information for your order



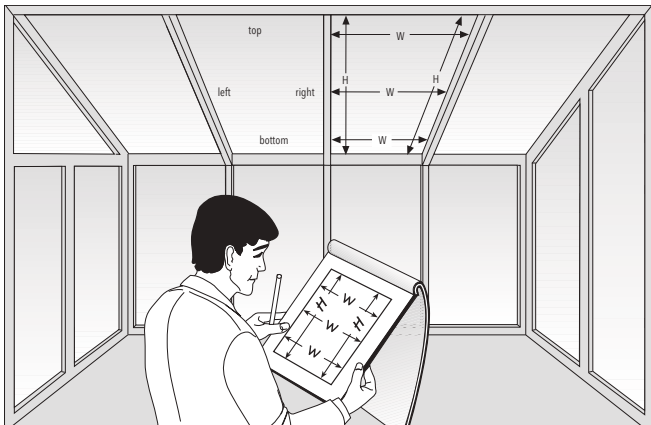
Installation clearance

At least 100 mm must be left between the honeycomb blind and the glazing and at least 50 mm between the installation profile and the wall at both the top and bottom, to allow for sufficient air circulation.

Please take the ventilation slots at the top and bottom into account.



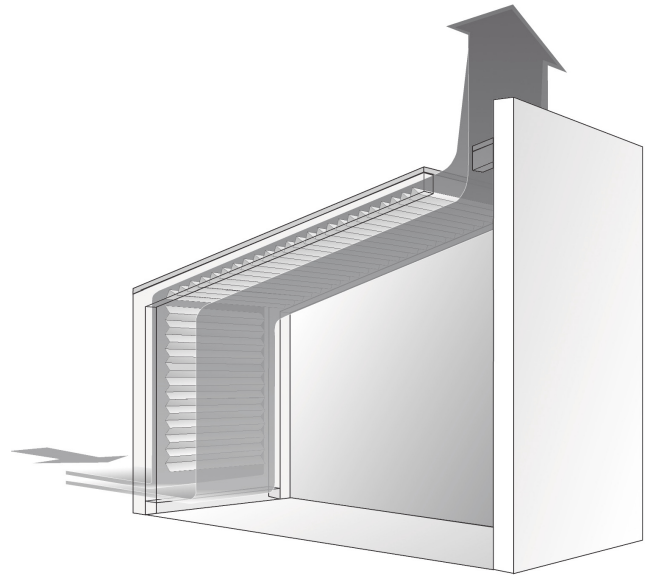
Installation example to illustrate clearance and ventilation slots with installation profile.



Dimensions must always be viewed from inside or below.

IMPORTANT INFORMATION

Conservatory systems



Conservatory systems are an ideal and practical form of sun protection, provided they have adequate ventilation and air circulation.

Ventilation

Inadequate ventilation in conservatories can result in condensation. We can assume no liability for damage to fabrics caused by dripping condensation or by harsh glass cleaning products that come into contact with the fabric either directly or indirectly. The same applies where insect droppings cause damage to the fabric.